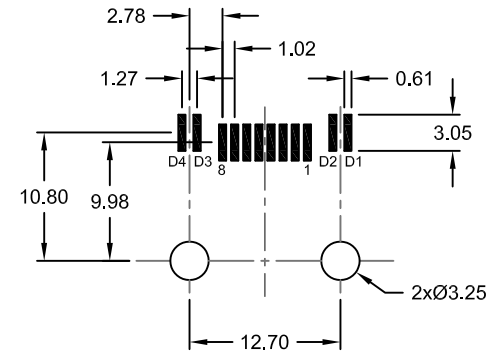
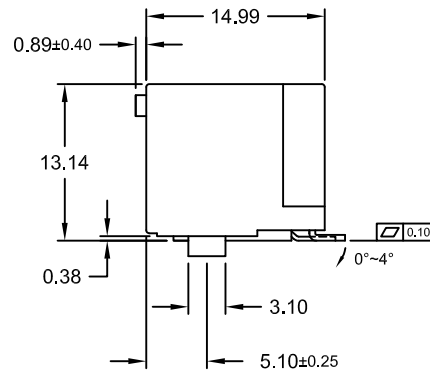
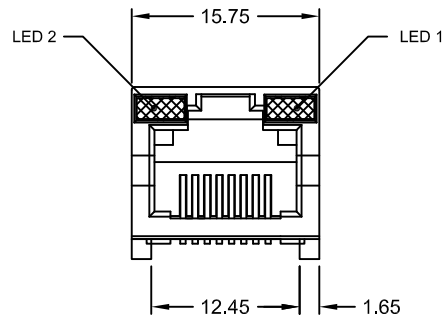
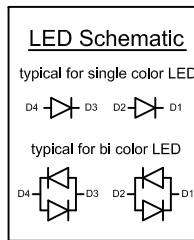
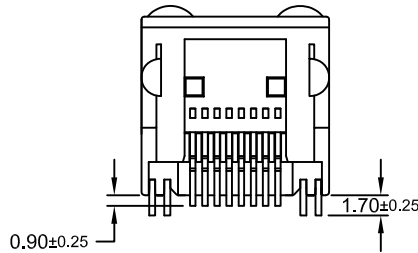


REV.	DESCRIPTION	DATE	DRAWN
A	New	29.03.2016	Ronny



Recommended PCB Layout Top View
(Tolerance ±0.05)



Replace "x" with

LED Color Options

Packing option

R = Reel

no suffix = Tray (Standard)

PART NUMBER	GOLD PLATING CONTACT AREA
MJS-188-TL3S0-55/x R	3µ"
MJS-188-TL3S0-56/x R	6µ"
MJS-188-TL3S0-57/x R	15µ"
MJS-188-TL3S0-58/x R	30µ"
MJS-188-TL3S0-5H/x R	50µ"

	LED Color Options	
	LED 2	LED 1
1	YELLOW	GREEN
2	NO LED	GREEN
3	GREEN	NO LED
4	GREEN	YELLOW
5	GREEN	GREEN
6	YELLOW	YELLOW
7	ORANGE/GREEN	ORANGE/GREEN
8	YELLOW/GREEN	YELLOW/GREEN
9	RED	NO LED
A	GREEN/YELLOW	GREEN/YELLOW
B	RED/GREEN	RED/GREEN
C	RED/GREEN	GREEN/YELLOW
D	GREEN	GREEN/YELLOW
E	YELLOW	GREEN/YELLOW



Specifications

Electrical

Current rating: 1.5A max.
 Insulation resistance: 500MΩ min.
 Contact resistance: 20mΩ max.
 Voltage rating: 150V AC max.
 Withstanding voltage: 1000V rms / Minute (60Hz)

Material

Contact: Phosphor Bronze t=0.35mm
 Plating: Au flash on solder area;
 Au on contact area (see PN code)
 Housing: PA9T (black) UL 94V-0
 Insert: PA46 (black) UL 94V-0

Operating temperature: -40°C to +85°C
 Processing temperature: +250°C +0/-5°C
 for 10 secondss

Cavity comply with FCC Rules and Regulations Part 68,
 Subpart F

Packing

Tray (Standard); Reel (Option)

E-tec 2016 © - all rights reserved



UNIT	mm	GENERAL TOLERANCE		DRAWN	DATE	DWG. NO.	SHEET 1/1
SCALE	Free	.X° ±	.X ±	Ronny	29.03.2016	1721500	REV. A
		.XX° ±	.XX ± 0.20	Hogi	29.03.2016	SERIES NO.	
		.XXX° ±	.XXX ±	Hogi	29.03.2016	MJS-188-TL3S0-xx/xx	

SMT Side Entry PCB Jack
 RJ45 <8P8C> "Tab up"
 short profile Type with LED
 NON shielded