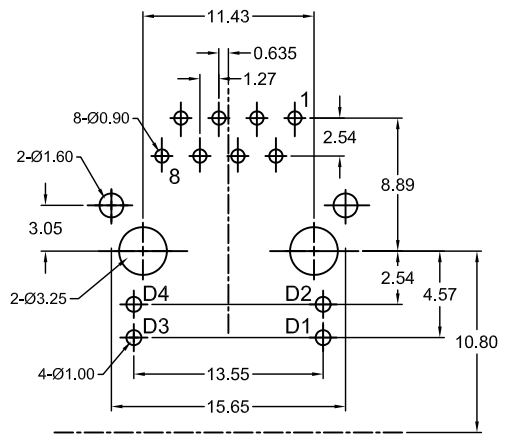
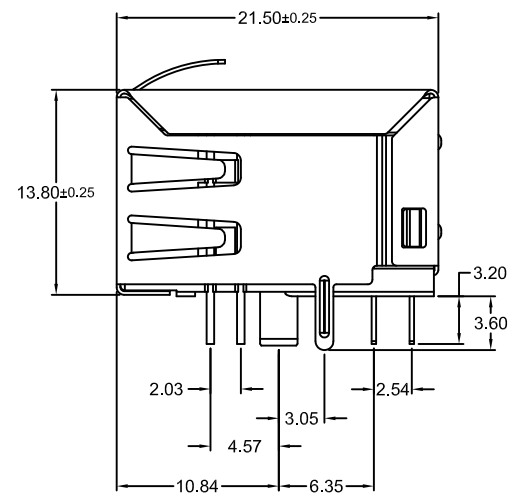
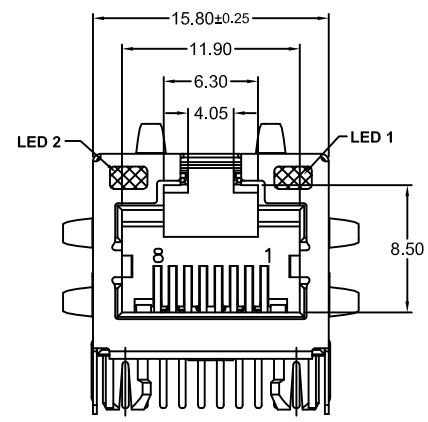
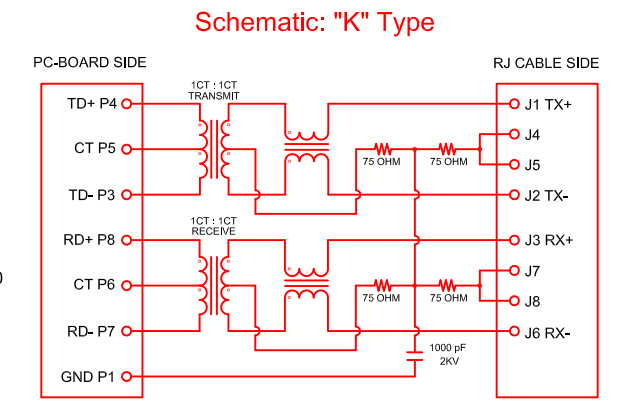
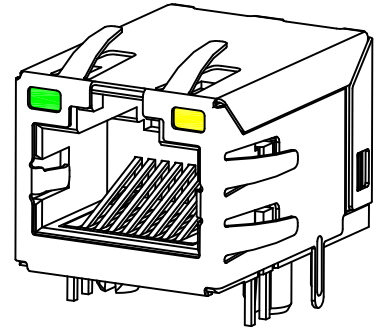
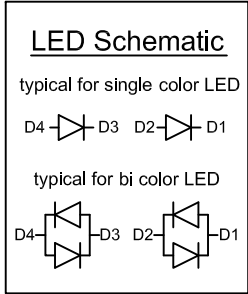
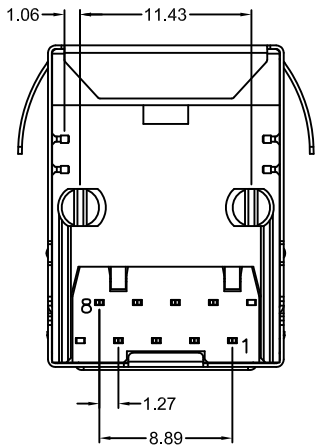


REV.	DESCRIPTION	DATE	DRAWN
A	NEW	18.12.2012	Ryan Chou



Recommended PCB Hole Layout
(Top View)



ELECTRICAL CHARACTERISTICS

- Test Notes: (25°C ±5°C)
- TR: (100KHz 0.1V):
Pins: (P4-P3):(J1-J2)=1:1±3%
Pins: (P8-P7):(J3-J6)=1:1±3%
 - LX: (100KHz 100mV 8mA DC Bias)
Pins: (P4-P3):(P8-P7)=350µH min.
 - DCR:
Pins: (J1-J2):(J3-J6)=1.2Ω max.
 - HIPOT:
Pins: (P4,P3)to(J1,J2)=1500V AC for 60 sec.
or 2250V DC 60 sec.
Pins: (P8,P7)to(J3,J6)=1500V AC for 60 sec.
or 2250V DC 60 sec.
 - INSERTION LOSS:
-1dB max. at 1MHz to 100MHz
 - RETURN LOSS:
-18dB min. at 1MHz to 30MHz Load 100Ω
-16dB min. at 30MHz to 60MHz Load 100Ω
-12dB min. at 60MHz to 80MHz Load 100Ω
 - CROSS TALK:
-30dB min. at 1MHz to 100MHz
 - COMMON TO COMMON MODE REJECTION:
-30dB min. at 1MHz to 100MHz

SPECIFICATION

MATERIALS
Insulator: P.B.T. UL 94V-0
Contact: Phosphor Bronze t=0.35mm plated with Gold, and Tin in solder area
Shield: Stainless Steel

Operating Temperature: 0°C to +70°C
Storage Temperature: -40°C to +85°C

PART NUMBER	GOLD PLATING
MJS-188-M0LK-95/7xCA	3µ"
MJS-188-M0LK-96/7xCA	6µ"
MJS-188-M0LK-97/7xCA	15µ"
MJS-188-M0LK-98/7xCA	30µ"
MJS-188-M0LK-9H/7xCA	50µ"

Replace "x" with LED Color Options

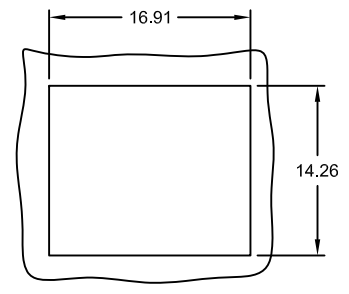
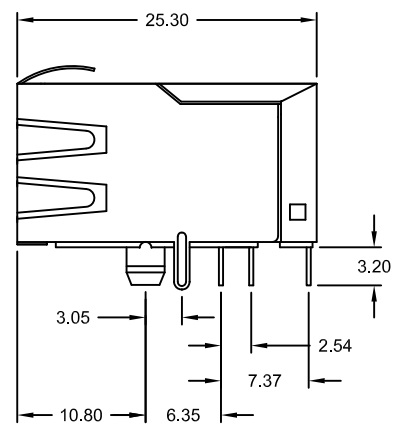
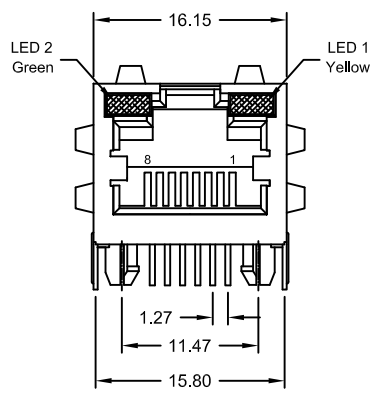
LED Color Options	
LED 2	LED 1
1	YELLOW GREEN
2	NO LED GREEN
3	GREEN NO LED
4	GREEN YELLOW
5	GREEN GREEN
6	YELLOW YELLOW
7	ORANGE/GREEN ORANGE/GREEN
8	YELLOW/GREEN YELLOW/GREEN
9	RED NO LED
A	GREEN/YELLOW GREEN/YELLOW
B	RED/GREEN RED/GREEN
C	RED/GREEN GREEN/YELLOW
D	GREEN GREEN/YELLOW
E	YELLOW GREEN/YELLOW



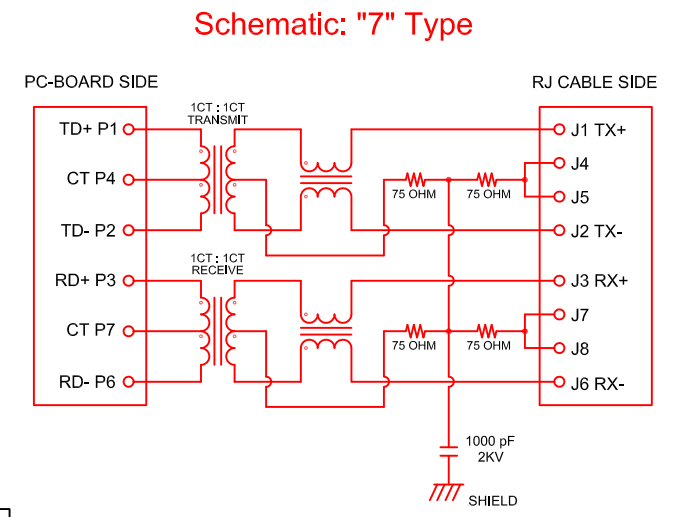
UNIT	SCALE	GENERAL TOLERANCE	DRAWN	DATE	DWG. NO.	SHEET 1/1
mm	Free	X.° ± X. ±	Ryan Chou	18.12.2012	1342520	REV. A
		.X° ± .XX ± 0.25	CHECK	18.12.2012	SERIES NO.	
		.XX° ± .XXX ± 0.15	APPROVE	18.12.2012	MJS-188-M0LK-9x/7xCA	
		.XXX° ± .XXX ± 0.075	Hogi			

Single Port RJ45 <8P8C> "TAB UP"
side entry long profile Type with LED fully shielded with Grd. Latches around "K" Type 10/100 Base 4 core TX Filtered

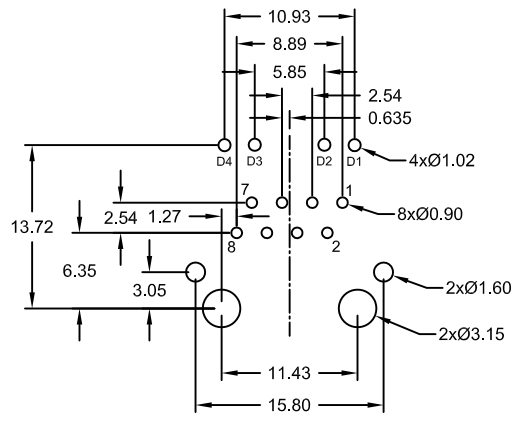
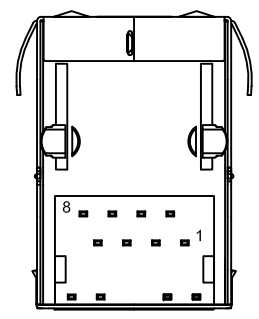
REV.	DESCRIPTION	DATE	DRAWN
A	NEW	13.05.2013	Ronny



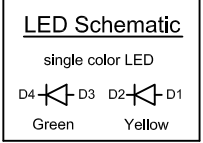
Recommended Panel Cutout



Schematic: "7" Type



Recommended PCB Hole Layout (Top View)



LED Schematic

SPECIFICATION

MATERIALS
 Insulator: PBT UL 94V-0 (black)
 Contact: Phosphor Bronze
 Plating: Sn on solder area;
 Au flash on contact area,
 and underplated Ni
 Shield: Copper Alloy; Ni plated

Operating Temperature: 0°C to +70°C

Cavity conform to fcc rules and
 Registration Par68, Subparts F

ELECTRICAL CHARACTERISTICS

- Test Notes: (25°C ±5°C)
- TR: (100KHz 0.1V):
 Pins: (P1-P2):(J1-J2)=1:1±3%
 Pins: (P3-P6):(J3-J6)=1:1±3%
 - LX: (100KHz 100mV 8mA DC Bias)
 Pins: (P1-P2):(P3-P6)=350µH min.
 - DCR:
 Pins: (J1-J2):(J3-J6)=1.2Ω max.
 - HIPOT:
 Pins: (P1,P4,P2)to(J1,J2)=1500V AC for 60 Sec.
 Pins: (P3,P7,P6)to(J3,J6)=1500V AC for 60 Sec.
 - INSERTION LOSS:
 -1dB max. at 0.3MHz to 100MHz
 - RETURN LOSS:
 -20dB min. at 1MHz to 30MHz
 -15dB min. at 30MHz to 60MHz
 -10dB min. at 60MHz to 80MHz
 - CROSS TALK:
 -30dB min. at 1MHz to 100MHz
 - COMMON TO COMMON MODE REJECTION:
 -30dB min. at 1MHz to 100MHz

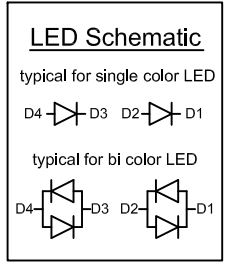
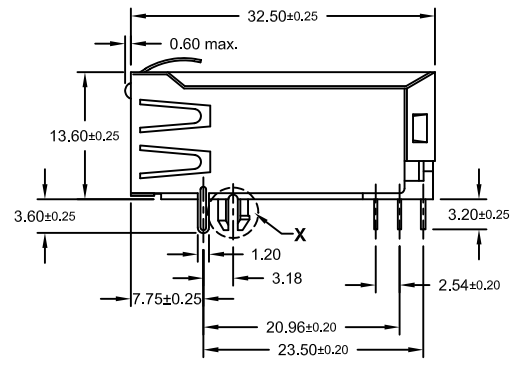
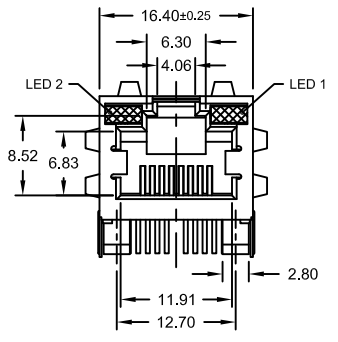
PART NUMBER	GOLD PLATING CONTACT AREA
MJS-188-MCL7-96/74CA	6µ"
MJS-188-MCL7-98/74CA	30µ"



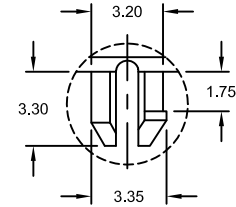
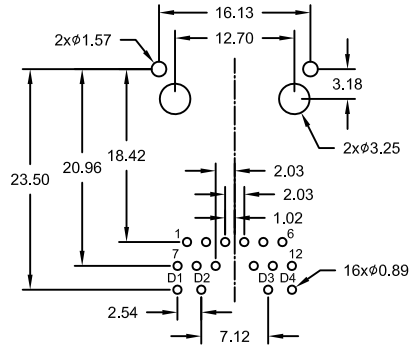
UNIT	SCALE	GENERAL TOLERANCE	DRAWN	DATE	DWG. NO.	SHEET 1/1
mm	Free	X.° ± X. ±	Ronny	13.05.2013	1342525	REV. A
		.X° ± .XX ± 0.25	Hogi	13.05.2013	SERIES NO.	
		.XX° ± .XXX ± 0.15	Hogi	13.05.2013	MJS-188-MCL7-9x/74CA	
		.XXX° ± .XXX ± 0.075				

Single Port RJ45 <8P8C> TAB up
 side entry long profile Type with LED
 fully shielded with Grd. Latches around
"7" Type 10/100 Base 4 core TX Filtered

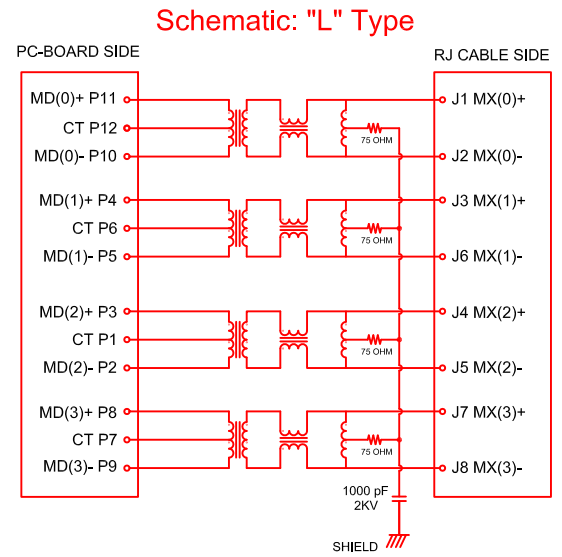
REV.	DESCRIPTION	DATE	DRAWN
A	NEW	03.08.2013	Ryan



Recommended PCB Hole Layout Top View
(Tolerance: ±0.05)



Detail X



ELECTRICAL CHARACTERISTICS

Insertion loss: 0.1 - 100 MHz -1.0 dB max.
 Return loss: 0.5 - 40 MHz -18 dB min.
 40 - 100 MHz (Note 1)
 OCL: 100 KHz
 Crosstalk: 100 KHz - 100 MHz (Note 2)
 Hipot: Vrms 1.5 kV
 Turns Ratio: Tx: 1:1
 (Chip : Cable): Rx: 1:1

Note 1: Greater than (12-20 Log (f/80MHz)) dB
 Note 2: Greater than (33-20 Log (f/50MHz)) dB

SPECIFICATION

MATERIALS
 Insulator: Nylon 46 UL 94V-0
 Contact: Phosphor Bronze t=0.35mm plated with Gold, and Gold in solder area
 Shield: Brass, Nickel plated

Operating Temperature: -40°C to ~ +85°C

PART NUMBER	GOLD PLATING CONTACT AREA
MJS-188-M3LL-55/SxCA	3μ"
MJS-188-M3LL-56/SxCA	6μ"
MJS-188-M3LL-57/SxCA	15μ"
MJS-188-M3LL-58/SxCA	30μ"
MJS-188-M3LL-5H/SxCA	50μ"

Replace "x" with LED Color Options

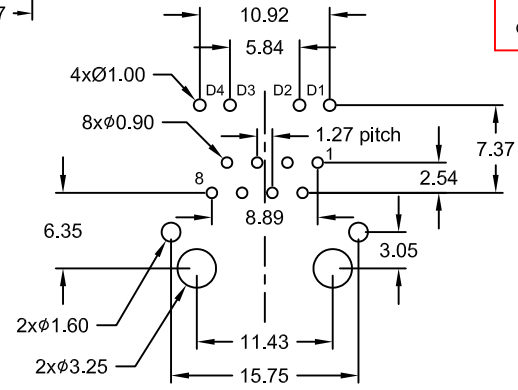
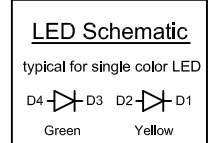
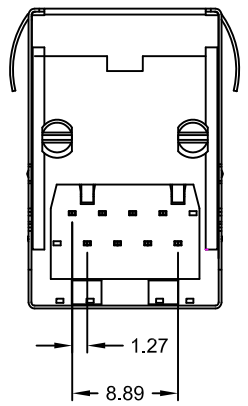
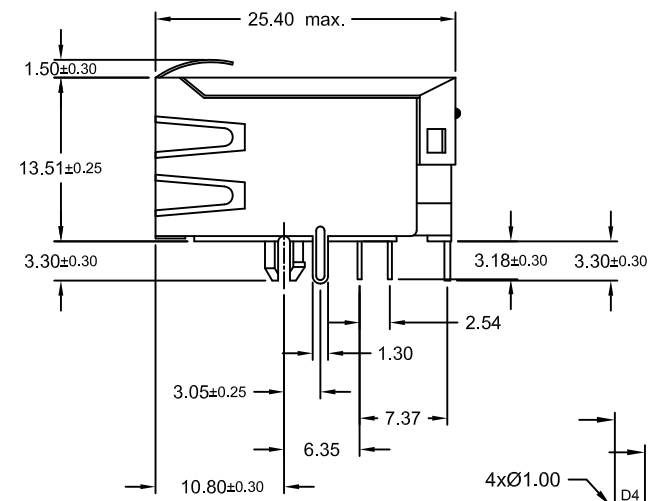
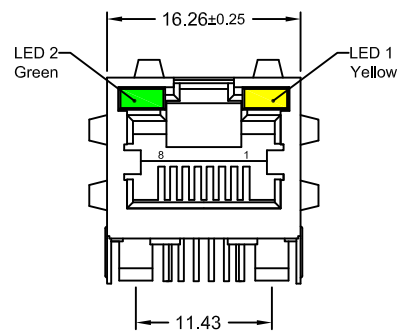
	LED Color Options	
	LED 2	LED 1
1	YELLOW	GREEN
2	NO LED	GREEN
3	GREEN	NO LED
4	GREEN	YELLOW
5	GREEN	GREEN
6	YELLOW	YELLOW
7	ORANGE/GREEN	ORANGE/GREEN
8	YELLOW/GREEN	YELLOW/GREEN
9	RED	NO LED
A	GREEN/YELLOW	GREEN/YELLOW
B	RED/GREEN	RED/GREEN
C	RED/GREEN	GREEN/YELLOW
D	GREEN	GREEN/YELLOW
E	YELLOW	GREEN/YELLOW



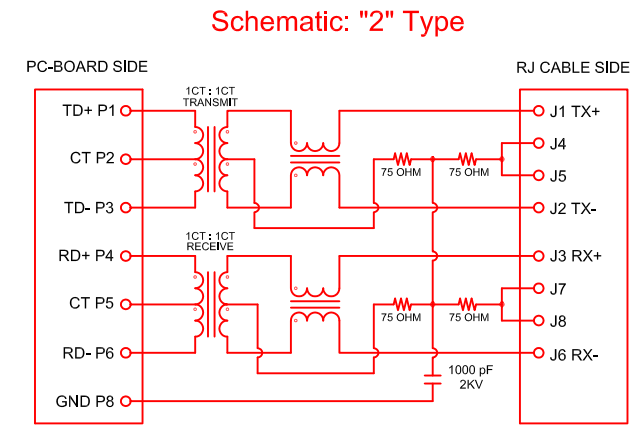
UNIT	GENERAL TOLERANCE		DRAWN	DATE	DWG. NO.	SHEET 1/1
mm	X.° ±	X. ±	Ryan	03.08.2013	1342527	
SCALE	.X° ±	.X ±	CHECK	03.08.2013	SERIES NO.	REV. A
	.XX° ±	.XX ± 0.13	APPROVE	03.08.2013	MJS-188-M3LL-5x/SxCA	
	.XXX° ±	.XXX ± 0.05	Hogi			

RJ45 PCB JACK <8P/8C> Tab up
 side entry, long profile Type with LED
 fully shielded With GROUNDING TABS
"L" Type 10/100/1000 Mbps, 12 core TX Filtered

REV.	DESCRIPTION	DATE	DRAWN
A	New	17.02.2016	Cherry



Recommended PCB Hole Layout Top View
 (Tolerance: ±0.05)



- Electrical Characteristics**
 Test Notes: (25°C ±5°C)
- TR: (100KHz 0.1V):
 Pins: (P1-P3):(J1-J2)=1:1±3%
 Pins: (P4-P6):(J3-J6)=1:1±3%
 - LX: (100KHz 100mV 8mA DC Bias)
 Pins: (P1-P3):(P4-P6)=350µH min.
 - DCR:
 Pins: (J1-J2):(J3-J6)=1.2Ω max.
 - HIPOT:
 Pins: (P1,P2,P3)to(J1,J2)=1500V AC for 60 Sec.
 Pins: (P4,P5,P6)to(J3,J6)=1500V AC for 60 Sec.
 - INSERTION LOSS:
 -1dB max. at 0.3MHz to 100MHz
 - RETURN LOSS:
 -20dB min. at 1MHz to 30MHz
 -15dB min. at 30MHz to 60MHz
 -10dB min. at 60MHz to 80MHz
 - CROSS TALK:
 -30dB min. at 1MHz to 100MHz
 - COMMON TO COMMON MODE REJECTION:
 -30dB min. at 1MHz to 100MHz

SPECIFICATION

Materials
 Insulator: PBT UL 94V-0 (black)
 Contact: Phosphor Bronze t=0.35mm
 Plating: Au flash on solder area;
 Au on contact area;
 entire contact Ni underplated
 Shield: Copper Alloy t=0.20; Ni plated

Operating Life: 750 Cycles min.
 Temperature range: -40°C to +85°C

Cavity conform to FCC rules and
 Regulations Part 68, Subpart F



PART NUMBER	GOLD PLATING CONTACT AREA
MJS-188-M3L20-56/74CA	6µ"
MJS-188-M3L20-57/74CA	15µ"
MJS-188-M3L20-58/74CA	30µ"
MJS-188-M3L20-5H/74CA	50µ"

E-tec 2016 © - all rights reserved



UNIT	GENERAL TOLERANCE		DRAWN	DATE	DWG. NO.	SHEET 1/1
mm	X.° ±	X. ±	Cherry	17.02.2016	1342540	REV. A
SCALE	.X° ±	.X ±	CHECK	17.02.2016	SERIES NO.	
Free	.XX° ±	.XX ± 0.20	APPROVE	17.02.2016	MJS-188-M3L20-xx/74CA	
	.XXX° ±	.XXX ±	Hogi			

RJ45 PCB JACK <8P/8C> "Tab up"
 side entry, long profile Type with LED
 fully shielded, with gnd. Latches around
"2" Type 10/100 Mbps 4 core TX Filtered