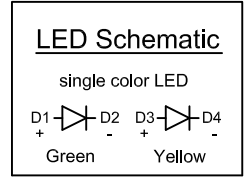
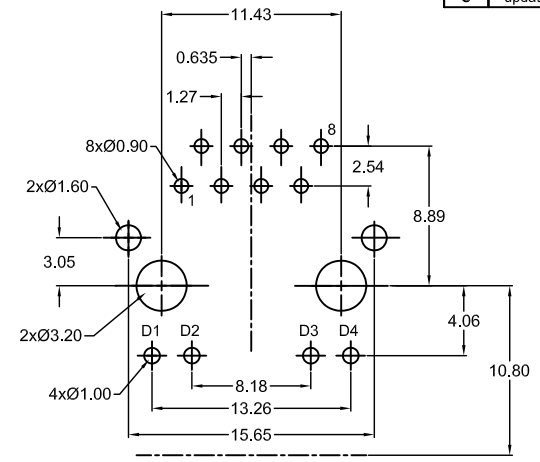
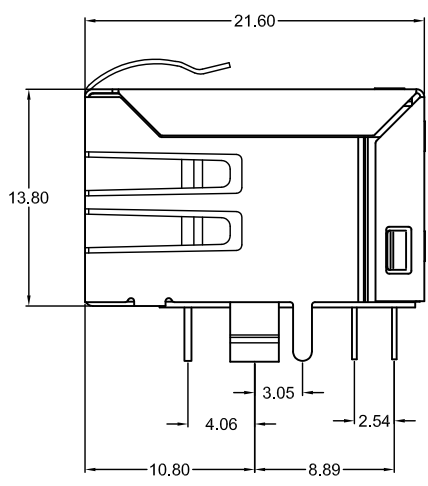
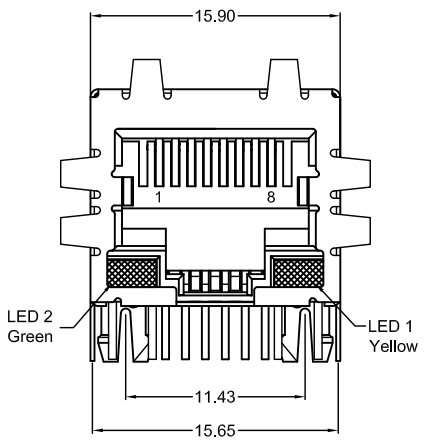
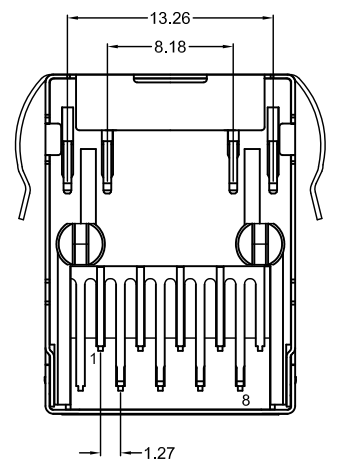


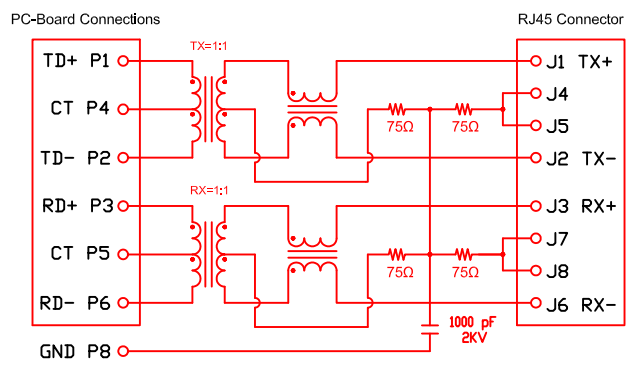
REV.	DESCRIPTION	DATE	DRAWN
A	Release	01.07.2009	Ronny
B	New DWG. No.	01.02.2012	Ronny
C	update; add LED polarity	13.02.2015	Ronny



Recommended PCB Hole Layout
Top View
(PCB TOLERANCE ± 0.05)



Schematic: LE Type
(Standard for Ethernet)



- ELECTRICAL CHARACTERISTICS**
Test Notes: (25°C $\pm 5^\circ$ C)
- TR: (100KHz 0.1V);
Pins: (P1-P2);(J1-J2)=1:1 $\pm 3\%$
Pins: (P3-P6);(J3-J6)=1:1 $\pm 3\%$
 - LX: (100KHz 100mV 8mA DC Bias)
Pins: (P1-P2);(P3-P6)=350 μ H min.
 - DCR:
Pins: (J1-J2);(J3-J6)=1.2 Ω max.
 - HIPOT:
Pins: (P1,P2)to(J1,J2)=1500V AC for 60 Sec.
Pins: (P3,P6)to(J3,J6)=1500V AC for 60 Sec.
 - INSERTION LOSS:
-1.0dB max. at 1MHz to 100MHz
 - RETURN LOSS:
-18dB min. at 1MHz to 30MHz (load 100 Ω)
-16dB min. at 30MHz to 60MHz (load 100 Ω)
-12dB min. at 60MHz to 80MHz (load 100 Ω)
 - CROSS TALK:
-30dB min. at 1MHz to 100MHz
 - COMMON TO COMMON MODE REJECTION:
-30dB min. at 1MHz to 100MHz

- SPECIFICATION**
- MATERIAL:
Housing - PBT UL 94V-0 (black)
Contact - 0.35mm PhBz; Au/Sn plated
Shield - Brass; Ni plated
 - OPERATING LIFE: 750 Cycles min.
 - TEMPERATURE RANGE:
Storage - -40° C to $+85^\circ$ C
Operating - 0° C to 70° C
 - Cavity comply with FCC Rules and Regulations Part 68, Subpart F

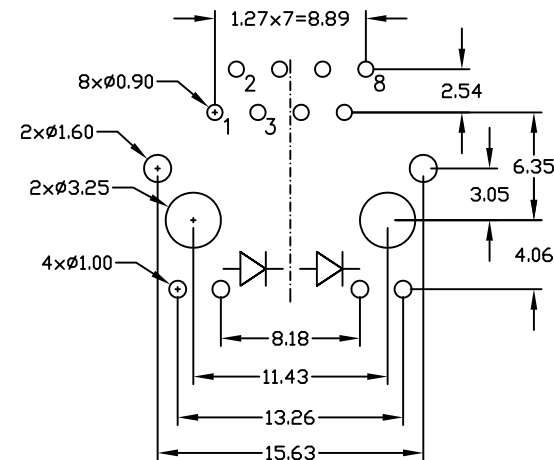
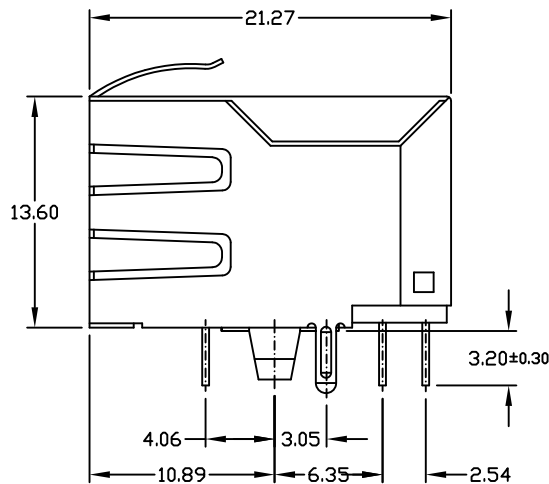
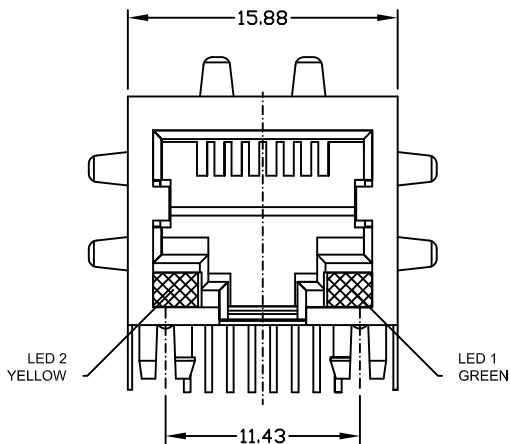
PART NUMBER	GOLD PLATING CONTACT AREA
MJS-188-M0LE-95/74CA	3 μ "
MJS-188-M0LE-96/74CA	6 μ "
MJS-188-M0LE-97/74CA	15 μ "
MJS-188-M0LE-98/74CA	30 μ "
MJS-188-M0LE-9H/74CA	50 μ "



UNIT mm	GENERAL TOLERANCE	DRAWN Ronny	DATE 01.07.2009	DWG. NO. 1342504	SHEET 1/1
SCALE Free	X.° $\pm 3^\circ$.X° \pm	CHECK Ronny	DATE 13.02.2015	Series NO. MJS-188-M0LE-9x/74CX	REV. C
	XX. \pm .XX ± 0.25	APPROVE Hogi	DATE 13.02.2015		
	XXX. \pm .XXX \pm				

RJ 45 PCB JACK <8P8C>
SIDE ENTRY-LONG PROFILE TYPE with LED
FULLY SHIELDED w GRD. LATCHES AROUND
"LE" Type 10/100 Base TX Filtered (Standard for Ethernet)

REV.	LOCAS.	DESCRIPTION	DATE	DRAWN
A		NEW	21.10.2008	RH
B		LED Nbr. & PN /74CA → /71CA	01.07.2009	Ronny
C		New DWG. No.	01.02.2012	Ronny



ELECTRICAL Transmitter filter

Type: Balance low pass 100Ω impedance
 Insertion loss: 1~100MHz -1.15dB max.
 Return loss: 1~30MHz -18dB min. Load 100Ω
 30~60MHz -15dB min. Load 100Ω
 60~80MHz -11dB min. Load 100Ω

Receiver filter

Type: Balance low pass 100Ω impedance
 Insertion loss: 1~100MHz -1.0dB max.
 Return loss: 1~30MHz -20dB min. Load 100Ω
 30~60MHz -14dB min. Load 100Ω
 60~80MHz -12dB min. Load 100Ω

Common mode Rejection @ 1~100MHz -25dB min.

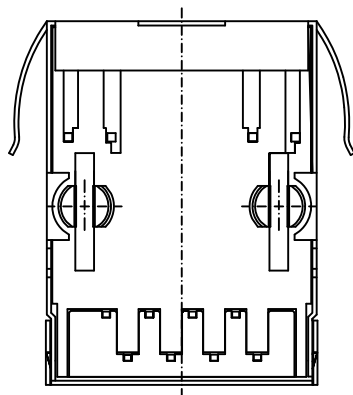
Cross Talk @ 1~100MHz -28dB min.

Inductance @ 100KHz, 0.1V, 8mA DC BIAS Input (1-3), Input (7-8): 350µH min.

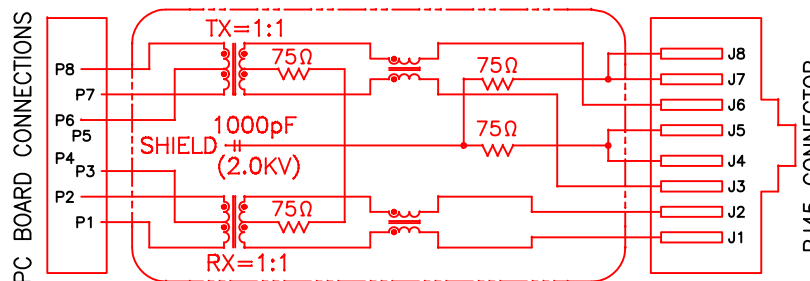
Hi-Pot TEST Input (1-3) to Output (1-2): 1500V AC, 60sec. Input (7-8) to Output (3-6): 1500V AC, 60sec.

SPECIFICATIONS

Current rating: 1.5A
 Insulation resistance: 500MΩ min./500V DC
 Dielectric withstanding: 1000V rms. 60Hz/Minute
 Contact resistance: 40mΩ max./20mV DC
 Operating temperature: -40°C ~ +105°C
 Insulator material: High temp. thermoplastic
 UL94V-0 color: Black
 Contact material: Phosphor Bronze
 Finish: Gold plated on contact area,
 Tin on solder area
 Shielded: Brass, Nickel plated



L0 Type



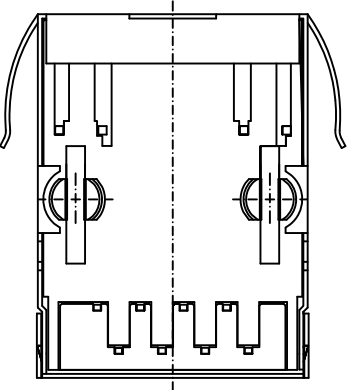
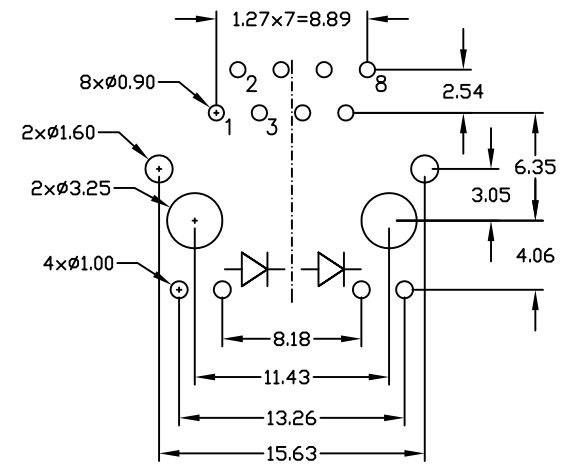
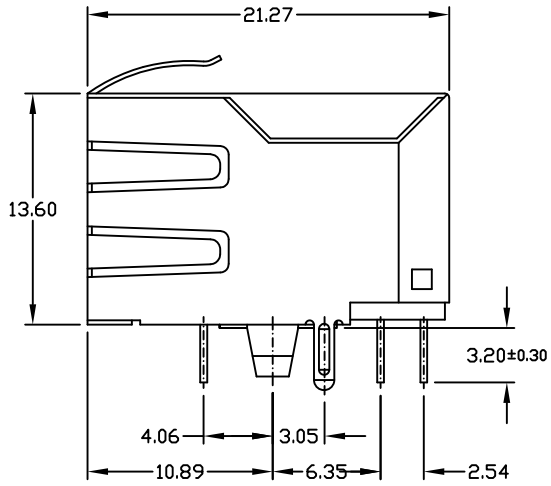
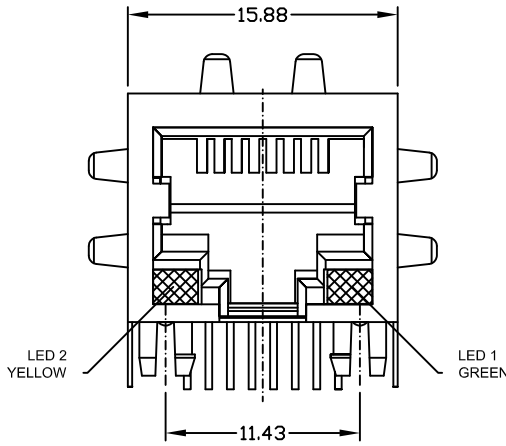
PART NUMBER	GOLD PLATING CONTACT AREA
MJS-188-M1L0-96/71CA	6µ"
MJS-188-M1L0-97/71CA	15µ"
MJS-188-M1L0-98/71CA	30µ"
MJS-188-M1L0-9H/71CA	50µ"



UNIT	mm	GENERAL TOLERANCE		DRAWN	DATE	DWG. NO.	SHEET 1/1
SCALE <td>Free</td> <td>X.° ±</td> <td>X. ± 0.50</td> <td>RONNY</td> <td>21.10.2008</td> <td>1342506</td> <td>REV. C</td>	Free	X.° ±	X. ± 0.50	RONNY	21.10.2008	1342506	REV. C
		.X° ±	.X ± 0.38	Ronny	01.02.2012	SERIES NO.	
		.XX° ±	.XX ± 0.25	APPROVE	DATE	MJS-188-X1Lx-xx/7xCX	
		ANG ± 3°	.XXX ± 0.10	HOGI	01.02.2012		

RJ45 PCB JACK <8P8C> with lower LED
 SIDE ENTRY-LONG PROFILE TYPE
 FULLY SHIELDED with grd.latches around
L0 Type 10/100 Base TX Filtered

REV.	LOCAS.	DESCRIPTION	DATE	DRAWN
A		NEW	02.06.2009	RH
B		LED Nbr. & PN /74CS -> /71CS	01.07.2009	Ronny
C		New DWG. No.	01.02.2012	Ronny



SPECIFICATIONS

Current rating: 1.5A
 Insulation resistance: 500MΩ min./500V DC
 Dielectric withstanding: 1000V rms. 60Hz/Minute
 Contact resistance: 40mΩ max./20mV DC
 Operating temperature: -40°C ~ +105°C
 Insulator material: High temp. thermoplastic UL94V-0 color: Black

Contact material: Phosphor Bronze
 Finish: Gold plated on contact area, Tin on solder area
 Shielded: Brass, Nickel plated



ELECTRICAL

Transmitter filter

Type: Balance low pass 100Ω impedance
 Insertion loss: 1~100MHz -1.15dB max.
 Return loss: 1~30MHz -18dB min. Load 100Ω
 30~60MHz -15dB min. Load 100Ω
 60~80MHz -11dB min. Load 100Ω

Receiver filter

Type: Balance low pass 100Ω impedance
 Insertion loss: 1~100MHz -1.0dB max.
 Return loss: 1~30MHz -20dB min. Load 100Ω
 30~60MHz -14dB min. Load 100Ω
 60~80MHz -12dB min. Load 100Ω

Common mode Rejection

@ 1~100MHz -25dB min.

Cross Talk

@ 1~100MHz -28dB min.

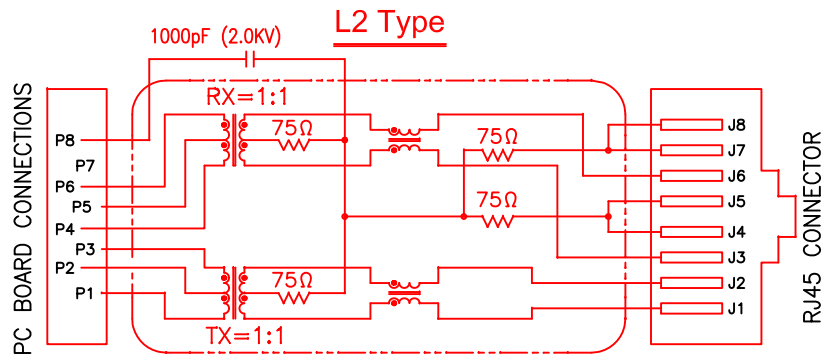
Inductance

@ 100KHz, 0.1V, 8mA DC BIAS
 Input (1-3), Input (7-8): 350µH min.

Hi-Pot TEST

Input (1-3) to Output (1-2): 1500V AC, 60sec.
 Input (7-8) to Output (3-6): 1500V AC, 60sec.

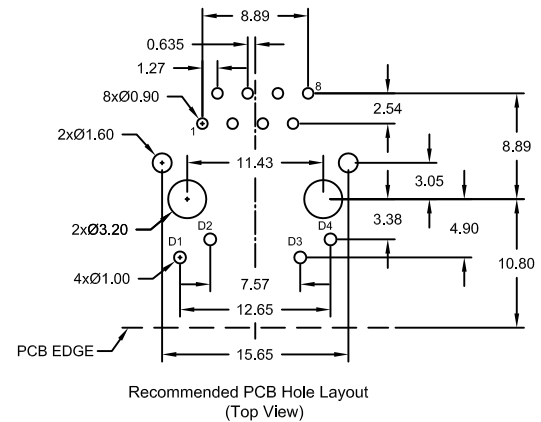
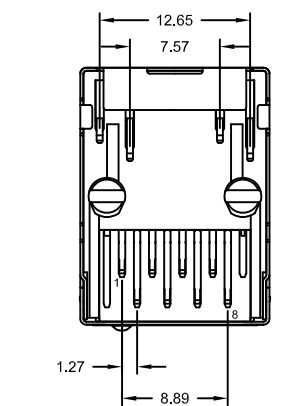
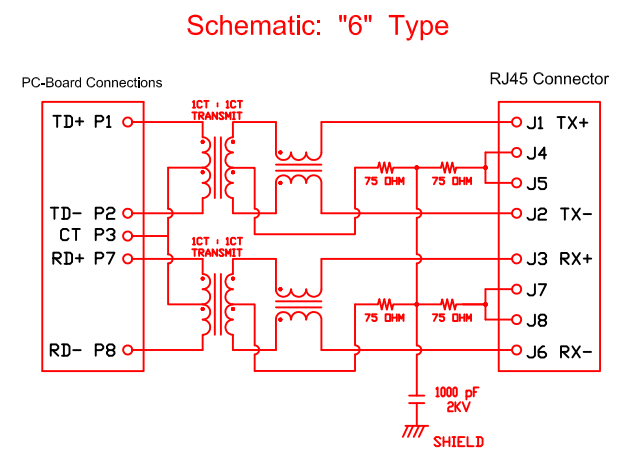
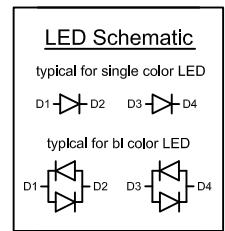
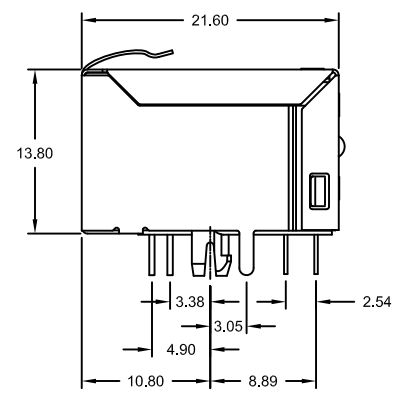
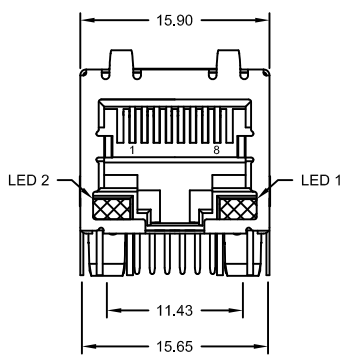
PART NUMBER	GOLD PLATING CONTACT AREA
MJS-188-M1L2-96/71CA	6µ"
MJS-188-M1L2-97/71CA	15µ"
MJS-188-M1L2-98/71CA	30µ"
MJS-188-M1L2-9H/71CA	50µ"



UNIT	SCALE	GENERAL TOLERANCE	DRAWN	DATE	DWG. NO.	SHEET 1/1
mm	Free	X.° ± X. ± 0.50	Ronny	02.06.2009	1342510	REV. C
		.X° ± .X ± 0.38	Ronny	01.02.2012	SERIES NO.	
		.XX° ± .XX ± 0.25	HOGI	01.02.2012	MJS-188-X1Lx-xx/7xCX	
		ANG ± 3°				

RJ45 PCB JACK <8P8C> with lower LED SIDE ENTRY-LONG PROFILE TYPE FULLY SHIELDED with grd.latches around L2 Type 10/100 Base TX Filtered

REV.	LOCAS.	DESCRIPTION	DATE	DRAWN
A		NEW	28.02.2012	Ronny



ELECTRICAL CHARACTERISTICS

- Test Notes: (25°C ±5°C)
- TR: (100KHz 0.1V):
Pins: (P1-P2);(J1-J2)=1:1±3%
Pins: (P7-P8);(J3-J6)=1:1±3%
 - LX: (100KHz 100mV 8mA DC Bias)
Pins: (P1-P2);(P7-P8)=350µH min.
 - DCR:
Pins: (J1-J2);(J3-J6)=1.2Ω max.
 - HIPOT:
Pins: (P1,P2)to(J1,J2)=1500V AC for 60 Sec. or 2250V DC 60 Sec.
Pins: (P7,P8)to(J3,J6)=1500V AC for 60 Sec. or 2250V DC 60 Sec.



SPECIFICATION

MATERIALS

Insulator: PBT UL 94V-0
 Contact: 0.35mm Copper Alloy plated with Gold, and Tin in solder area
 Shield: Brass, Nickel plated
 Operating Temperature: 0°C to ~+70°C

PART NUMBER	GOLD PLATING CONTACT AREA
MJS-188-K0L6-95/7xCT	3µ"
MJS-188-K0L6-96/7xCT	6µ"
MJS-188-K0L6-97/7xCT	15µ"
MJS-188-K0L6-98/7xCT	30µ"
MJS-188-K0L6-9H/7xCT	50µ"

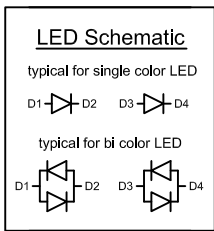
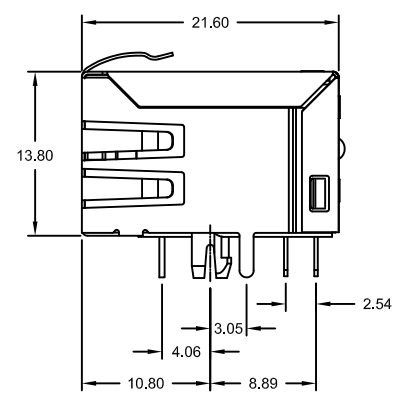
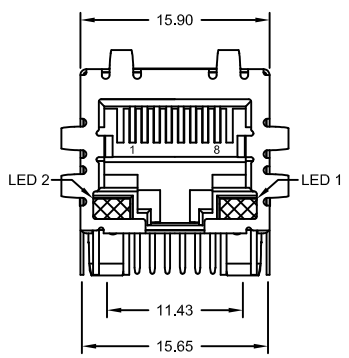
	LED Color Options	
	LED 2	LED 1
1	YELLOW	GREEN
2	NO LED	GREEN
3	GREEN	NO LED
4	GREEN	YELLOW
5	GREEN	GREEN
6	YELLOW	YELLOW
7	ORANGE/GREEN	ORANGE/GREEN
8	YELLOW/GREEN	YELLOW/GREEN
9	RED	NO LED
A	GREEN/YELLOW	GREEN/YELLOW
B	RED/GREEN	RED/GREEN
C	RED/GREEN	GREEN/YELLOW
D	GREEN	GREEN/YELLOW
E	YELLOW	GREEN/YELLOW



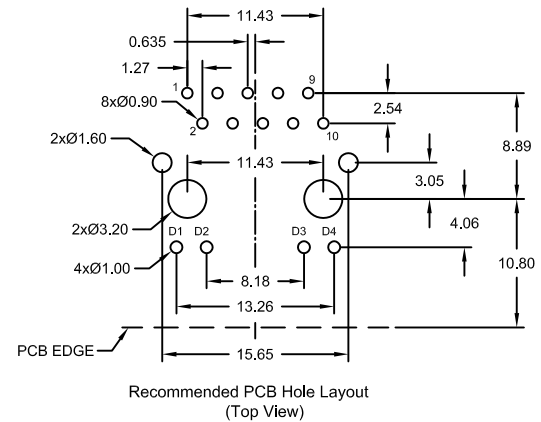
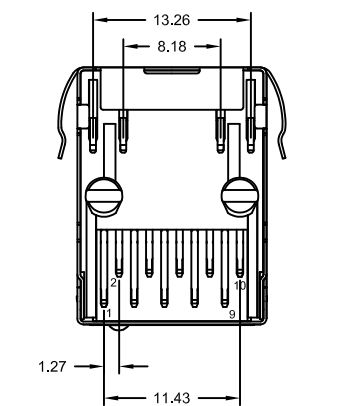
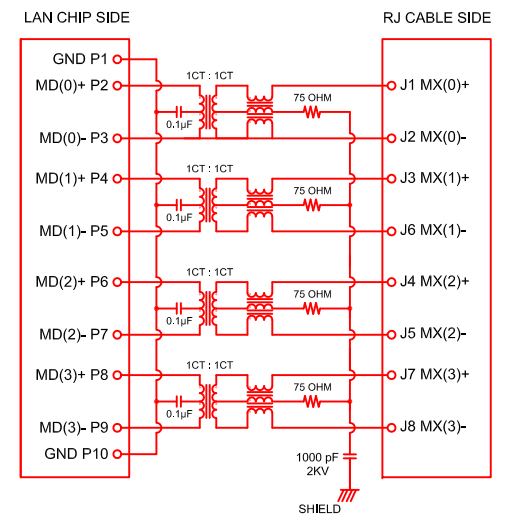
UNIT	GENERAL TOLERANCE	DRAWN	DATE	DWG. NO.	SHEET 1/1
mm	X.° ±	Ronny	28.02.2012	1342514	
SCALE	.X° ±	CHECK	DATE	SERIES NO.	REV. A
Free	.XX° ±	Ronny	28.02.2012	MJS-188-K0L6-9x/7xCT	
	.XXX° ±	APPROVE	DATE		
	.XXX° ±	Hogi	28.02.2012		

RJ45 PCB JACK <8P/8C>
 side entry, long profile Type with LED
 fully shielded, with top Grd. Latches around
6 Type 10/100 Mbps, 4 core TX Filtered

REV.	LOCAS.	DESCRIPTION	DATE	DRAWN
A		NEW	27.06.2012	Ronny



Schematic: "H" Type



ELECTRICAL CHARACTERISTICS

- Test Notes: (25°C ±5°C)
- TR: (100KHz 0.1V);
Pins: (P2,P3):(J1-J2)=1:1±3%;(P4,P5):(J3,J6)=1:1±3%;
Pins: (P6,P7):(J4-J5)=1:1±3%;(P8,P9):(J7,J8)=1:1±3%
 - LX: (100KHz 100mV 8mA DC Bias)
Pins: (P2,P3),(P4-P5),(P6,P7),(P8-P9)=350µH min.
 - DCR:
Pins: (J1-J2),(J3-J6),(J4,J5),(J7,J8)=1.2Ω max.
 - HIPOT:
Pins: (P2,P3)to(J1,J2),(P4,P5)to(J3,J6)=1500V AC for 60 Sec. or 2250V DC 60 Sec.
Pins: (P6,P7)to(J4,J5),(P8,P9)to(J7,J8)=1500V AC for 60 Sec. or 2250V DC 60 Sec.
 - INSERTION LOSS:
-0.8dB max. at 0.3MHz to 100MHz
-1.2dB max. at 100MHz to 120MHz
 - RETURN LOSS:
-18dB min. at 0.5MHz to 40MHz;
-12+20 Log (f/80MHz)dB min. at 40MHz to 100MHz
 - CROSS TALK:
-33+20 Log (f/100MHz)dB min. at 0.1MHz to 100MHz
 - COMMON TO DIFFERENTIAL MODE REJECTION:
-35dB min. at 300KHz to 100MHz
 - COMMON TO COMMON MODE REJECTION:
-30dB min. at 300MHz to 100MHz



Replace "x" with LED Color Options

	LED 2	LED 1
1	YELLOW	GREEN
2	NO LED	GREEN
3	GREEN	NO LED
4	GREEN	YELLOW
5	GREEN	GREEN
6	YELLOW	YELLOW
7	ORANGE/GREEN	ORANGE/GREEN
8	YELLOW/GREEN	YELLOW/GREEN
9	RED	NO LED
A	GREEN/YELLOW	GREEN/YELLOW
B	RED/GREEN	RED/GREEN
C	RED/GREEN	GREEN/YELLOW
D	GREEN	GREEN/YELLOW
E	YELLOW	GREEN/YELLOW

PART NUMBER	GOLD PLATING CONTACT AREA
MJS-188-K0LH-95/7xCA	3µ"
MJS-188-K0LH-96/7xCA	6µ"
MJS-188-K0LH-97/7xCA	15µ"
MJS-188-K0LH-98/7xCA	30µ"
MJS-188-K0LH-9H/7xCA	50µ"

SPECIFICATION

MATERIALS

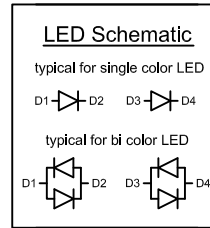
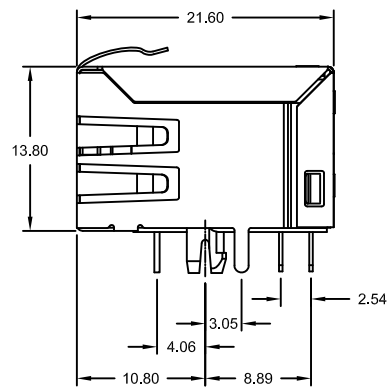
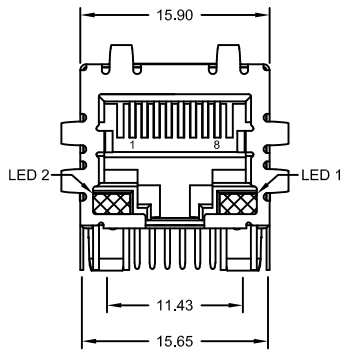
Insulator: PBT UL 94V-0
 Contact: 0.35mm Copper Alloy plated with Gold, and Tin in solder area
 Shield: Copper Alloy, Nickel plated
 Operating Temperature: 0°C to ~ +70°C



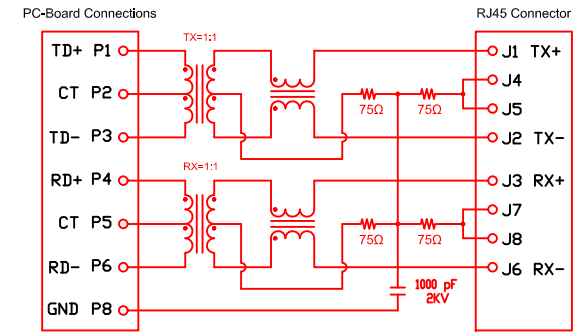
UNIT	mm	GENERAL TOLERANCE		DRAWN	DATE	DWG. NO.	SHEET 1/1
SCALE	Free	X.° ±	X. ±	Ronny	27.06.2012	1342516	REV. A
		.X° ±	.X ± 0.25	Andres	27.06.2012	SERIES NO.	
		.XX° ±	.XX ± 0.15	Hogi	27.06.2012	MJS-188-K0LH-9x/7xCA	
		.XXX° ±	.XXX ± 0.075				

RJ45 PCB JACK <8P/8C>
 side entry, long profile Type with LED
 fully shielded, with Grd. Latches around
H Type 10/100/1000 Mbps, TX Filtered

REV.	DESCRIPTION	DATE	DRAWN
A	NEW	25.09.2012	Ryan



Schematic: "2" Type



ELECTRICAL CHARACTERISTICS

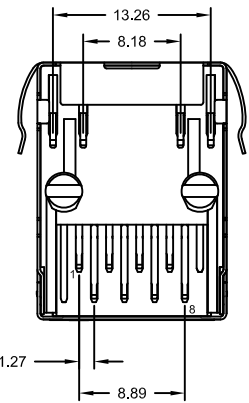
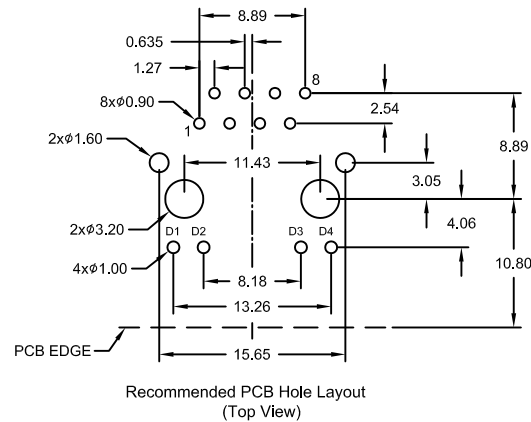
- Test Notes: (25°C ±5°C)
- TR: (100KHz 0.1V):
Pins: (P1-P3):(J1-J2)=1:1±3%
Pins: (P4-P6):(J3-J6)=1:1±3%
 - LX: (100KHz 100mV 8mA DC Bias)
Pins: (P1-P3):(P4-P6)=350µH min.
 - DCR:
Pins: (J1-J2):(J3-J6)=1.2Ω max.
 - HIPOT:
Pins: (P1-P3)to(J1,J2)=1500V AC for 60 Sec.
Pins: (P4-P6)to(J3,J6)=1500V AC for 60 Sec.
 - INSERTION LOSS:
-1.0dB max. at 0.3MHz to 100MHz
 - RETURN LOSS:
-18dB min. at 1MHz to 30MHz, load 100Ω
-16dB min. at 30MHz to 60MHz, load 100Ω
-12dB min. at 60MHz to 80MHz, load 100Ω
 - CROSS TALK:
-30dB min. at 1MHz to 100MHz
 - COMMON TO COMMON MODE REJECTION:
-30dB min. at 1MHz to 100MHz



SPECIFICATION

MATERIALS

Insulator: PBT UL 94V-0
Contact: Phosphor Bronze t=0.35mm
plated with Gold, and Tin in solder area
Shield: Brass, Nickel plated
Operating Temperature: 0°C to ~ +70°C



Replace "x" with LED Color Options

PART NUMBER	GOLD PLATING CONTACT AREA
MJS-188-K0L2-95/7xCA	3µ"
MJS-188-K0L2-96/7xCA	6µ"
MJS-188-K0L2-97/7xCA	15µ"
MJS-188-K0L2-98/7xCA	30µ"
MJS-188-K0L2-9H/7xCA	50µ"

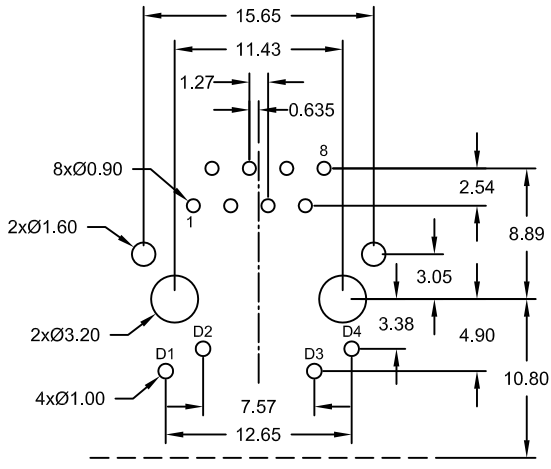
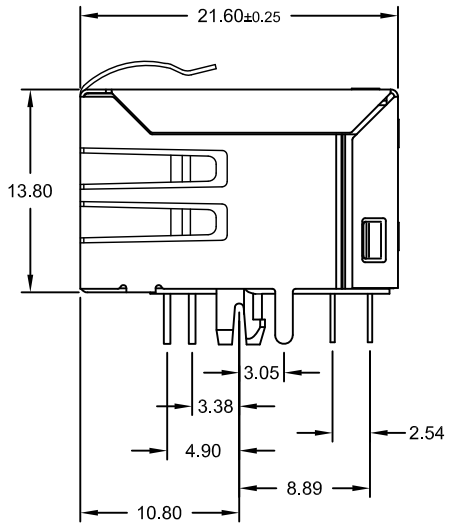
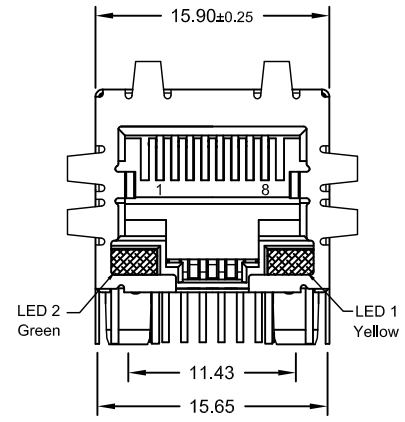
LED Color Options		
	LED 2	LED 1
1	YELLOW	GREEN
2	NO LED	GREEN
3	GREEN	NO LED
4	GREEN	YELLOW
5	GREEN	GREEN
6	YELLOW	YELLOW
7	ORANGE/GREEN	ORANGE/GREEN
8	YELLOW/GREEN	YELLOW/GREEN
9	RED	NO LED
A	GREEN/YELLOW	GREEN/YELLOW
B	RED/GREEN	RED/GREEN
C	RED/GREEN	GREEN/YELLOW
D	GREEN	GREEN/YELLOW
E	YELLOW	GREEN/YELLOW



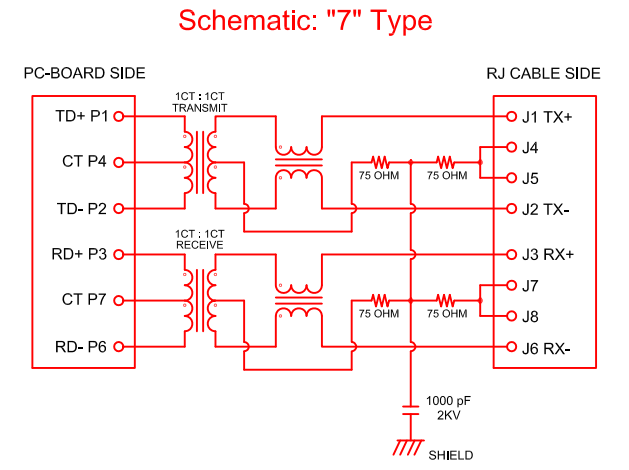
UNIT	SCALE	GENERAL TOLERANCE	DRAWN	DATE	DWG. NO.	SHEET 1/1
mm	Free	X.° ± X. ±	Ryan	25.09.2012	1342518	REV. A
		.X° ± .XX ± 0.25	Andres	25.09.2012	SERIES NO.	
		.XX° ± .XXX ± 0.15	Hogi	25.09.2012	MJS-188-K0L2-9x/7xCA	
		.XXX° ± .XXX ± 0.075				

RJ45 PCB JACK <8P/8C> Tab down
side entry, long profile Type with LED fully shielded, with Grd. Latches around **2Type** 10/100 Mbps, 4 core TX Filtered

REV.	DESCRIPTION	DATE	DRAWN
A	NEW	23.07.2009	Eric
B	PN -MOL7- -> K0L71 : add DWG, No.	11.03.2013	Ronny
C	RoHS update	16.03.2015	Ronny

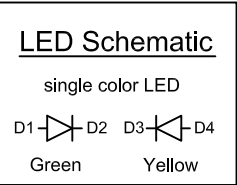


Recommended PCB Hole Layout
(Top View)



ELECTRICAL CHARACTERISTICS

- Test Notes: (25°C ±5°C)
- TR: (100KHz 0.1V):
Pins: (P1-P2):(J1-J2)=1:1±3%
Pins: (P3-P6):(J3-J6)=1:1±3%
 - LX: (100KHz 100mV 8mA DC Bias)
Pins: (P1-P2):(P3-P6)=350µH min.
 - DCR:
Pins: (J1-J2):(J3-J6)=1.2Ω max.
 - HIPOT:
Pins: (P1,P4,P2)to(J1,J2)=1500V AC for 60 Sec.
Pins: (P3,P7,P6)to(J3,J6)=1500V AC for 60 Sec.
 - INSERTION LOSS:
-1.0dB max. at 0.3MHz to 100MHz
 - RETURN LOSS:
-20dB min. at 1MHz to 30MHz
-15dB min. at 30MHz to 60MHz
-10dB min. at 60MHz to 80MHz
 - CROSS TALK:
-30dB min. at 1MHz to 100MHz
 - COMMON TO COMMON MODE REJECTION:
-30dB min. at 1MHz to 100MHz



SPECIFICATION

MATERIALS
Insulator: PBT UL 94V-0 (black)
Contact: Phosphor Bronze t=0.35mm plated with Gold, and Tin in solder area
Shield: Brass; Ni plated

Operating Temperature: 0°C to +70°C
Storage Temperature: -40°C to +85°C

Cavity comply with FCC Rules and Regulations Part 68, Subpart F

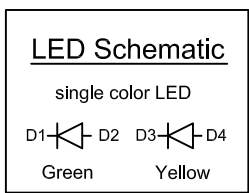
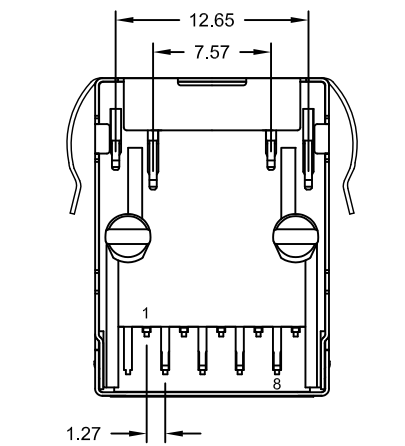
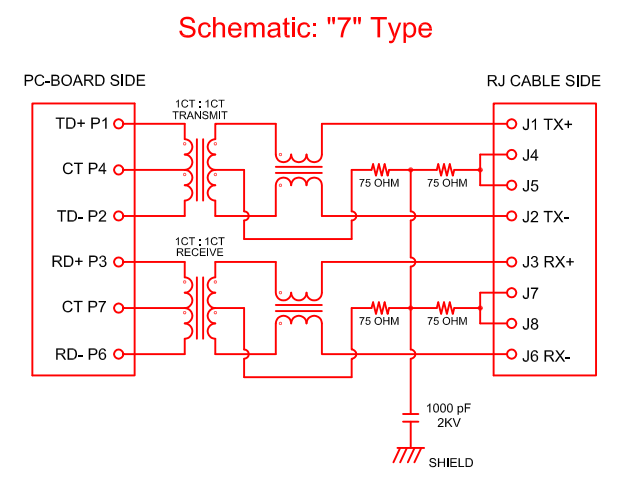
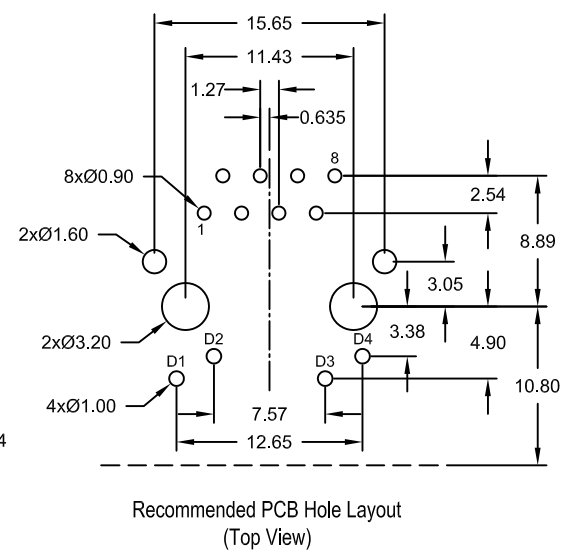
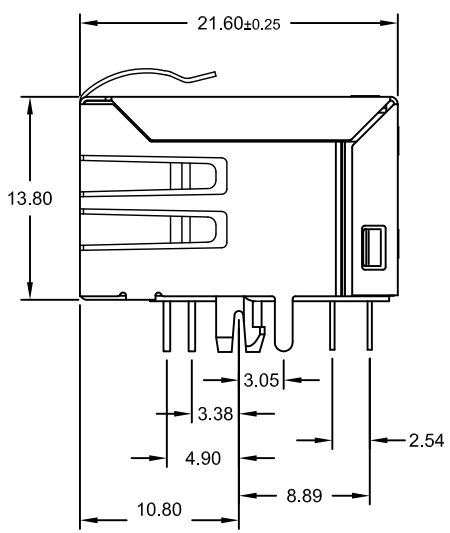
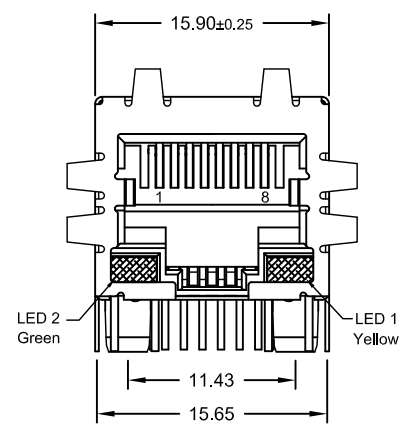
PART NUMBER	GOLD PLATING CONTACT AREA
MJS-188-K0L71-95/74CA	3µ"
MJS-188-K0L71-96/74CA	6µ"
MJS-188-K0L71-97/74CA	15µ"
MJS-188-K0L71-98/74CA	30µ"
MJS-188-K0L71-9H/74CA	50µ"



UNIT	GENERAL TOLERANCE		DRAWN	DATE	DWG. NO.	SHEET 1/1
mm	X.° ±	X. ±	Eric	23.07.2009	1342521	REV. C
SCALE	.X° ±	.X ± 0.25	CHECK	DATE	SERIES NO.	
Free	.XX° ±	.XX ± 0.15	Ronny	16.03.2016	MJS-188-K0L71-9x/7xCA	
	.XXX° ±	.XXX ± 0.075	APPROVE	DATE		
			Hogi	16.03.2016		

Single Port RJ45 <8P8C> "TAB down"
side entry long profile Type **with LED**
fully shielded with Grd. Latches around
"7" Type 10/100 Base 4 core TX Filtered
PBT Material

REV.	DESCRIPTION	DATE	DRAWN
A	NEW	07.03.2013	Ryan Chou



SPECIFICATION

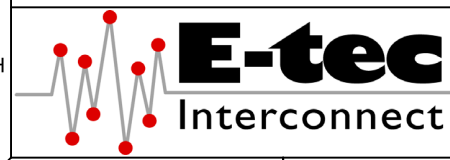
MATERIALS
 Insulator: Nylon UL 94V-0
 Contact: Phosphor Bronze t=0.35mm plated with Gold, and Tin in solder area
 Shield: Stainless Steel

Operating Temperature: 0°C to +70°C
 Storage Temperature: -40°C to +85°C

ELECTRICAL CHARACTERISTICS

- Test Notes: (25°C ±5°C)
- TR: (100KHz 0.1V):
 Pins: (P1-P2):(J1-J2)=1:1±3%
 Pins: (P3-P6):(J3-J6)=1:1±3%
 - LX: (100KHz 100mV 8mA DC Bias)
 Pins: (P1-P2):(P3-P6)=350µH min.
 - DCR:
 Pins: (J1-J2):(J3-J6)=1.2Ω max.
 - HIPOT:
 Pins: (P1,P4,P2)to(J1,J2)=1500V AC for 60 Sec.
 Pins: (P3,P7,P6)to(J3,J6)=1500V AC for 60 Sec.
 - INSERTION LOSS:
 -1.0dB max. at 0.3MHz to 100MHz
 - RETURN LOSS:
 -20dB min. at 1MHz to 30MHz
 -15dB min. at 30MHz to 60MHz
 -10dB min. at 60MHz to 80MHz
 - CROSS TALK:
 -30dB min. at 1MHz to 100MHz
 - COMMON TO COMMON MODE REJECTION:
 -30dB min. at 1MHz to 100MHz

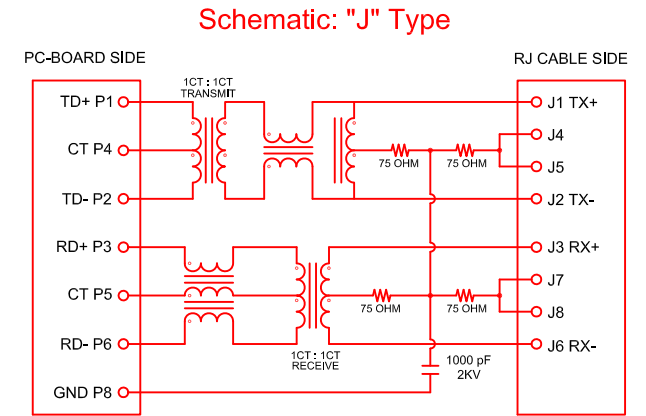
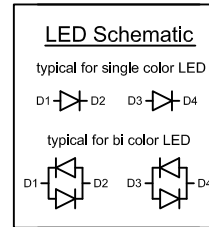
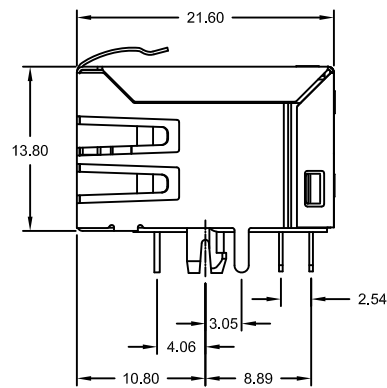
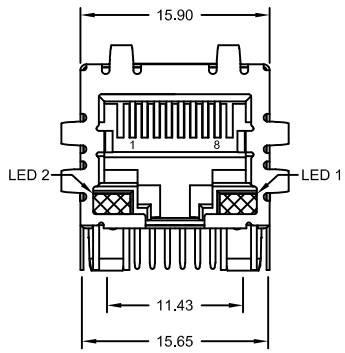
PART NUMBER	GOLD PLATING CONTACT AREA
MJS-188-K0L72-95/74CA	3µ"
MJS-188-K0L72-96/74CA	6µ"
MJS-188-K0L72-97/74CA	15µ"
MJS-188-K0L72-98/74CA	30µ"
MJS-188-K0L72-9H/74CA	50µ"



UNIT	GENERAL TOLERANCE		DRAWN	DATE	DWG. NO.	SHEET 1/1
mm	X.° ±	X. ±	Ryan Chou	07.03.2013	1342522	REV. A
SCALE	.X° ±	.X ± 0.25	CHECK	DATE	SERIES NO.	
Free	.XX° ±	.XX ± 0.15	Ronny	07.03.2013	MJS-188-K0L72-9x7xCA	
	.XXX° ±	.XXX ± 0.075	APPROVE	DATE		
			Hogi	07.03.2013		

Single Port RJ45 <8P8C> "TAB down"
 side entry long profile Type **with LED**
 fully shielded with Grd. Latches around
"7" Type 10/100 Base 4 core TX Filtered
Nylon Material

REV.	DESCRIPTION	DATE	DRAWN
A	NEW	25.09.2012	Ryan



ELECTRICAL CHARACTERISTICS

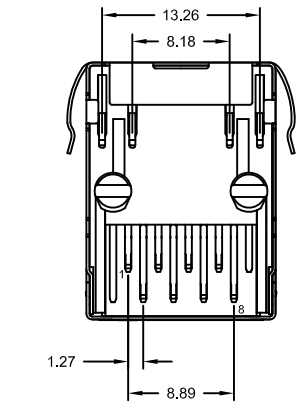
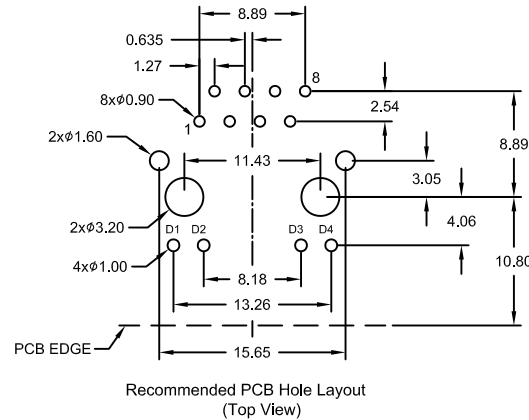
- Test Notes: (25°C ±5°C)
- TR: (100KHz 0.1V):
Pins: (P1-P2):(J1-J2)=1:1±3%
Pins: (P3-P6):(J3-J6)=1:1±3%
 - LX: (100KHz 100mV 8mA DC Bias)
Pins: (P1-P2),(P3-P6)=350µH min.
 - DCR:
Pins: (J1-J2),(J3-J6)=1.2Ω max.
 - HIPOT:
Pins: (P1,P2)to(J1,J2)=1500V AC for 60 Sec.
Pins: (P3,P6)to(J3,J6)=1500V AC for 60 Sec.
 - INSERTION LOSS:
-1.0dB max. at 1MHz to 100MHz
 - RETURN LOSS:
-18dB min. at 1MHz to 30MHz, load 100Ω
-16dB min. at 30MHz to 60MHz, load 100Ω
-12dB min. at 60MHz to 80MHz, load 100Ω
 - CROSS TALK:
-30dB min. at 1MHz to 100MHz
 - COMMON TO COMMON MODE REJECTION:
-30dB min. at 1MHz to 100MHz



SPECIFICATION

MATERIALS

Insulator: PBT UL 94V-0
Contact: Phosphor Bronze t=0.35mm
plated with Gold, and Tin in solder area
Shield: Brass, Nickel plated
Operating Temperature: 0°C to ~ +70°C



Replace "x" with LED Color Options

PART NUMBER	GOLD PLATING CONTACT AREA
MJS-188-K0LJ-95/7xCA	3µ"
MJS-188-K0LJ-96/7xCA	6µ"
MJS-188-K0LJ-97/7xCA	15µ"
MJS-188-K0LJ-98/7xCA	30µ"
MJS-188-K0LJ-9H/7xCA	50µ"

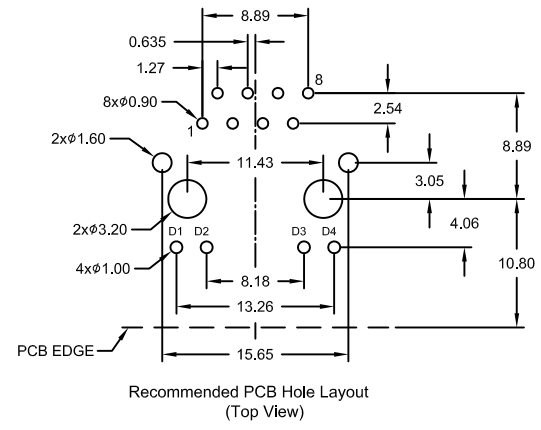
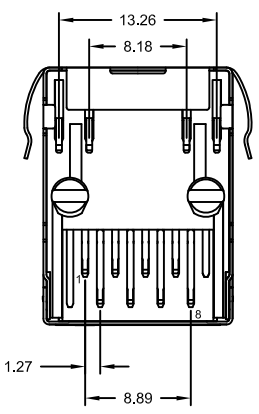
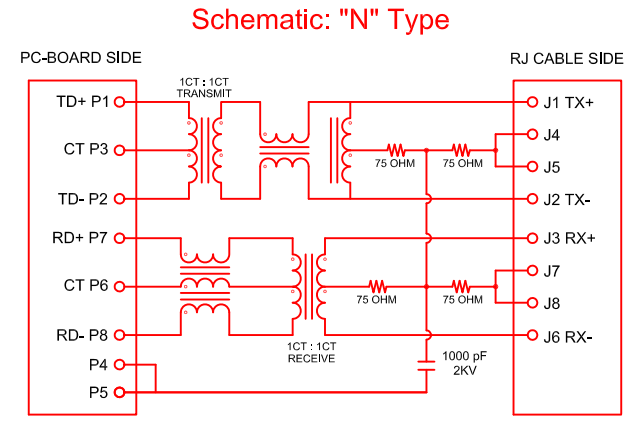
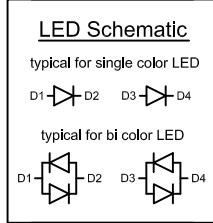
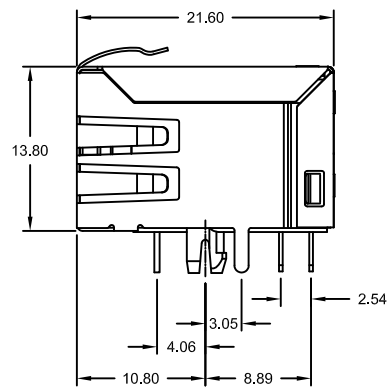
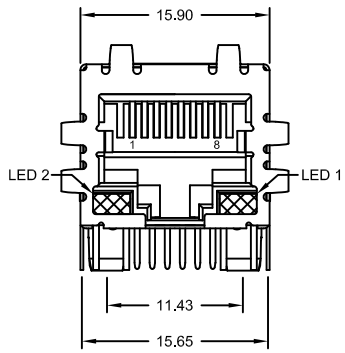
	LED Color Options	
	LED 2	LED 1
1	YELLOW	GREEN
2	NO LED	GREEN
3	GREEN	NO LED
4	GREEN	YELLOW
5	GREEN	GREEN
6	YELLOW	YELLOW
7	ORANGE/GREEN	ORANGE/GREEN
8	YELLOW/GREEN	YELLOW/GREEN
9	RED	NO LED
A	GREEN/YELLOW	GREEN/YELLOW
B	RED/GREEN	RED/GREEN
C	RED/GREEN	GREEN/YELLOW
D	GREEN	GREEN/YELLOW
E	YELLOW	GREEN/YELLOW



UNIT	GENERAL TOLERANCE		DRAWN	DATE	DWG. NO.	SHEET 1/1
mm	X.° ±	X. ±	Ryan	25.09.2012	1342523	REV. A
SCALE	.X° ±	.X ± 0.25	CHECK	25.09.2012	SERIES NO.	
Free	.XX° ±	.XX ± 0.15	APPROVE	25.09.2012	MJS-188-K0LJ-9x/7xCA	
	.XXX° ±	.XXX ± 0.075	Hogi			

RJ45 PCB JACK <8P/8C> Tab down
side entry, long profile Type with LED fully shielded, with Grd. Latches around "J" Type 10/100 Mbps, 5 core TX Filtered

REV.	DESCRIPTION	DATE	DRAWN
A	NEW	25.09.2012	Ryan



ELECTRICAL CHARACTERISTICS

- Test Notes: (25°C ±5°C)
1. TR: (100KHz 0.1V):
Pins: (P1-P2):(J1-J2)=1:1±3%
Pins: (P7-P8):(J3-J6)=1:1±3%
 2. LX: (100KHz 100mV 8mA DC Bias)
Pins: (P1-P2),(P7-P8)=350µH min.
 3. DCR:
Pins: (J1-J2),(J3-J6)=1.2Ω max.
 4. HIPOT:
Pins: (P1,P2)to(J1,J2)=1500V AC for 60 Sec.
Pins: (P4,P6)to(J3,J6)=1500V AC for 60 Sec.
 5. INSERTION LOSS:
-1.0dB max. at 1MHz to 100MHz
 6. RETURN LOSS:
-18dB min. at 1MHz to 30MHz, load 100Ω
-16dB min. at 30MHz to 60MHz, load 100Ω
-12dB min. at 60MHz to 80MHz, load 100Ω
 7. CROSS TALK:
-30dB min. at 1MHz to 100MHz
 8. COMMON TO COMMON MODE REJECTION:
-30dB min. at 1MHz to 100MHz

SPECIFICATION

MATERIALS

Insulator: PBT UL 94V-0
Contact: Phosphor Bronze t=0.35mm
plated with Gold, and Tin in solder area
Shield: Brass, Nickel plated
Operating Temperature: 0°C to ~ +70°C

Replace "x" with LED Color Options

PART NUMBER	GOLD PLATING CONTACT AREA
MJS-188-K0LN-95/7xCA	3µ"
MJS-188-K0LN-96/7xCA	6µ"
MJS-188-K0LN-97/7xCA	15µ"
MJS-188-K0LN-98/7xCA	30µ"
MJS-188-K0LN-9H/7xCA	50µ"

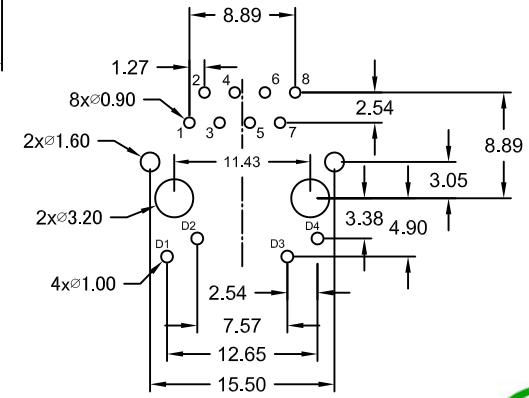
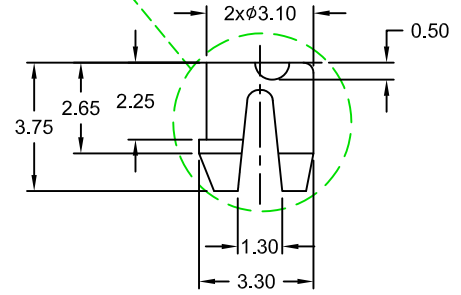
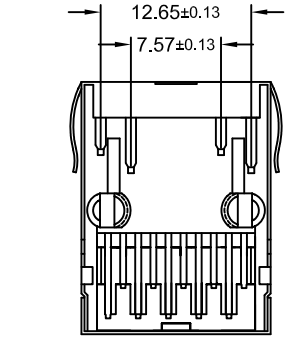
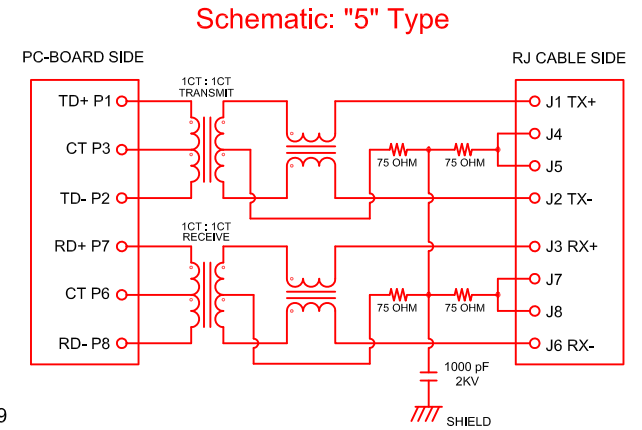
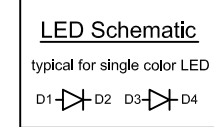
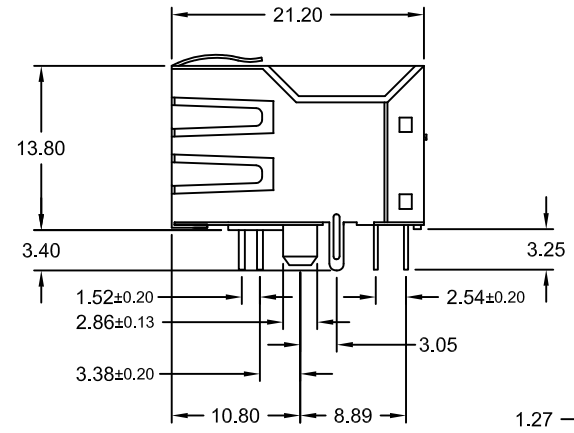
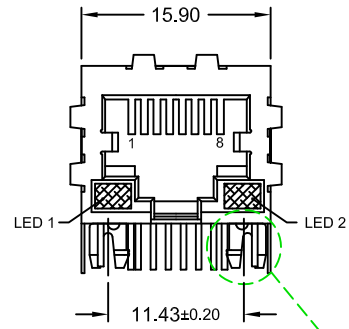
LED Color Options	
LED 2	LED 1
1	YELLOW GREEN
2	NO LED GREEN
3	GREEN NO LED
4	GREEN YELLOW
5	GREEN GREEN
6	YELLOW YELLOW
7	ORANGE/GREEN ORANGE/GREEN
8	YELLOW/GREEN YELLOW/GREEN
9	RED NO LED
A	GREEN/YELLOW GREEN/YELLOW
B	RED/GREEN RED/GREEN
C	RED/GREEN GREEN/YELLOW
D	GREEN GREEN/YELLOW
E	YELLOW GREEN/YELLOW



UNIT	SCALE	GENERAL TOLERANCE	DRAWN	DATE	DWG. NO.	SHEET 1/1
mm	Free	X.° ±	Ryan	08.05.2013	1342524	REV. A
		.X° ±	Andres	08.05.2013	SERIES NO.	
		.XX° ±	Hogi	08.05.2013	MJS-188-K0LN-9x/7xCA	
		.XXX° ±				

RJ45 PCB JACK <8P/8C> Tab down
side entry, long profile Type with LED fully shielded, with Grd. Latches around "N" Type 10/100 Mbps, 5 core TX Filtered

REV.	DESCRIPTION	DATE	DRAWN
A	New	10.01.2014	Ryan
B	update & LED schematic corrections	02.12.2015	Ronny



Recommended PCB Layout Top View
(Tolerance ±0.05)



Electrical Characteristics

- Test Notes: (25°C ±5°C)
- TR: (100KHz 0.1V):
Input to Output = 1:1±3%
Pins: (P7-P8):(J3-J6)=1:1±3%
 - LX: (100KHz 100mV, 8mA, DC Bias)
Transformer = 350µH min.
 - DCR:
every RJ pair = 1.2Ω max.
 - HIPOT:
Input to Output = 1500V AC for 60 Sec.
 - INSERTION LOSS:
-1.0dB max. at 1MHz to 100MHz
 - RETURN LOSS:
-20dB min. at 1MHz to 30MHz
-15dB min. at 30MHz to 60MHz
-10dB min. at 60MHz to 80MHz
 - CROSS TALK:
-30dB min. at 1MHz to 100MHz
 - COMMON TO COMMON MODE REJECTION:
-30dB min. at 1MHz to 100MHz

Specifications

Material
Housing: PBT UL 94V-0 (black)
Contact: Phosphor Bronze t=0.35mm
Plating: Au on solder area;
Au on contact area
entire contact Ni underplated
Shield: Brass t=0.20mm; Ni plated

Storage temperature: -40°C to +85°C
Operating temperature: 0°C to +70°C

Operating life: 750 cycles min.

Cavity comply with FCC Rules and Regulations Part 68, Subpart F

Replace "x" with LED Color Options

PART NUMBER	GOLD PLATING CONTACT AREA
MJS-188-K3L5-55/7xCA	3µ"
MJS-188-K3L5-56/7xCA	6µ"
MJS-188-K3L5-57/7xCA	15µ"
MJS-188-K3L5-58/7xCA	30µ"
MJS-188-K3L5-5H/7xCA	50µ"

	LED Color Options	
	LED 2	LED 1
1	YELLOW	GREEN
2	NO LED	GREEN
3	GREEN	NO LED
4	GREEN	YELLOW
5	GREEN	GREEN
6	YELLOW	YELLOW
9	RED	NO LED

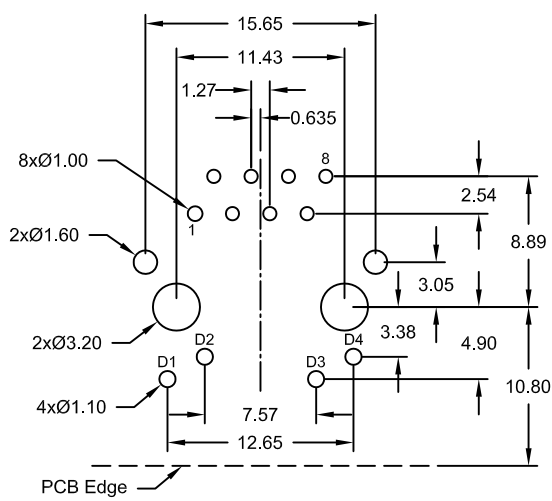
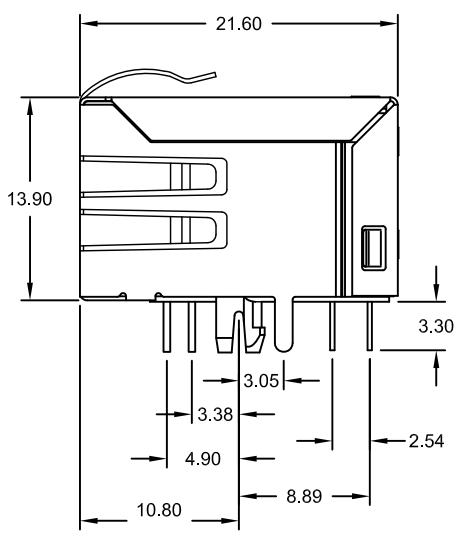
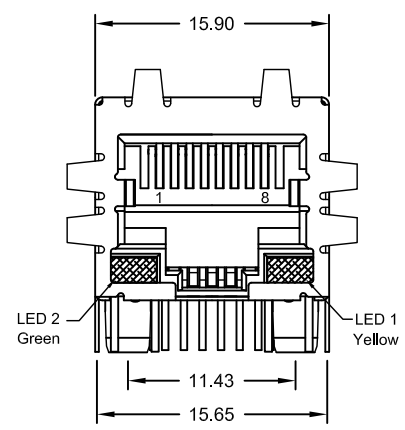
E-tec 2015 © - all rights reserved



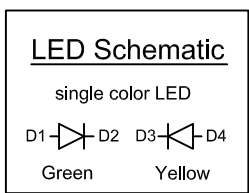
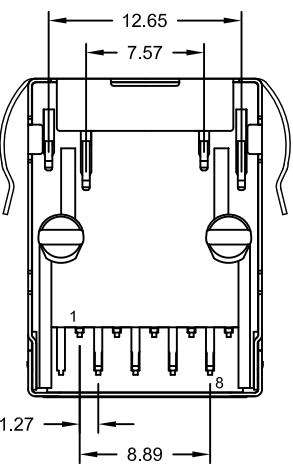
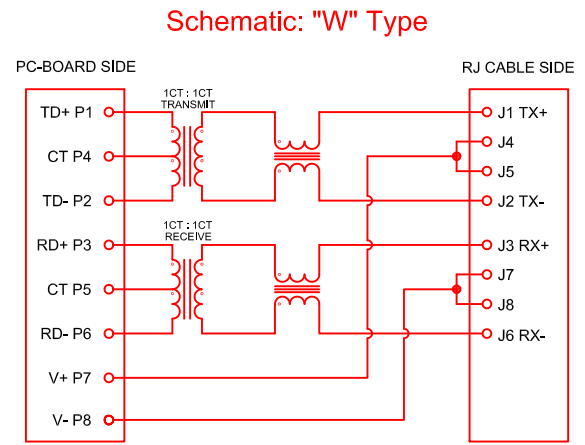
UNIT	GENERAL TOLERANCE		DRAWN	DATE	DWG. NO.	SHEET 1/1
mm	X.° ±	X. ±	Ryan	10.01.2014	1342529	REV. B
SCALE	.X° ±	.X ±	CHECK	DATE	SERIES NO.	
Free	.XX° ±	.XX ± 0.25	Ronny	02.12.2015	MJS-188-K3L5-xx/7xCA	
	.XXX° ±	.XXX ±	APPROVE	DATE		
			Hogi	02.12.2015		

RJ45 PCB JACK <8P/8C> "Tab down"
side entry, long profile Type with LED fully shielded, with gnd. Latches around Type "5" 10/100 Mbps 4 core TX Filtered

REV.	DESCRIPTION	DATE	DRAWN
A	NEW	15.04.2014	Ryan



Recommended PCB Hole Layout Top View
(Tolerance ±0.05)



SPECIFICATION

MATERIALS
 Insulator: PBT UL 94V-0 (black)
 Contact: Phosphor Bronze t=0.35mm plated with Gold, and Tin in solder area
 Shield: Brass; Ni plated

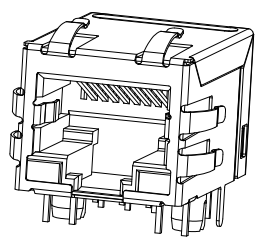
Operating Temperature: 0°C to +70°C
 Storage Temperature: -40°C to +85°C

Cavity conform to FCC rules and Registration par68, subparts F

ELECTRICAL CHARACTERISTICS

- Test Notes: (25°C ±5°C)
- TR: (100KHz 0.1V):
 Pins: (P1-P2):(J1-J2)=1:1±3%
 Pins: (P3-P6):(J3-J6)=1:1±3%
 - LX: (100KHz 100mV 8mA DC Bias)
 Pins: (P1-P2):(P3-P6)=350µH min.
 - DCR:
 Pins: (J1-J2):(J3-J6)=1.2Ω max.
 - HIPOT:
 Pins: (P1,P2)to(J1,J2)=1500V AC for 60 Sec
 or 2250V DC for 60 Sec.
 Pins: (P3,P6)to(J3,J6)=1500V AC for 60 Sec
 or 2250V DC for 60 Sec.
 - INSERTION LOSS:
 -1.0dB max. at 1MHz to 100MHz
 - RETURN LOSS:
 -18dB min. at 1MHz to 30MHz, load 100Ω
 -16dB min. at 30MHz to 60MHz, load 100Ω
 -12dB min. at 60MHz to 80MHz, load 100Ω
 - CROSS TALK:
 -30dB min. at 1MHz to 100MHz
 - COMMON TO COMMON MODE REJECTION:
 -30dB min. at 1MHz to 100MHz

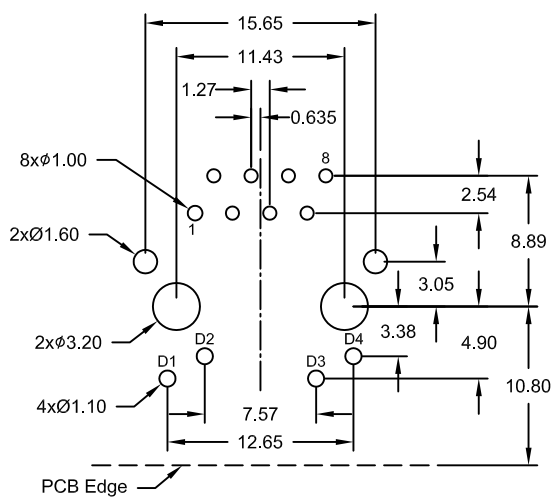
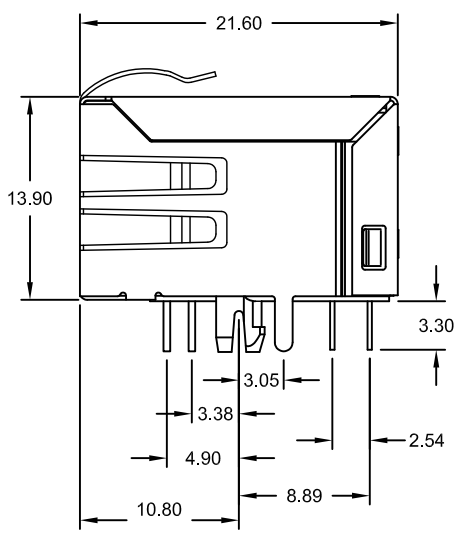
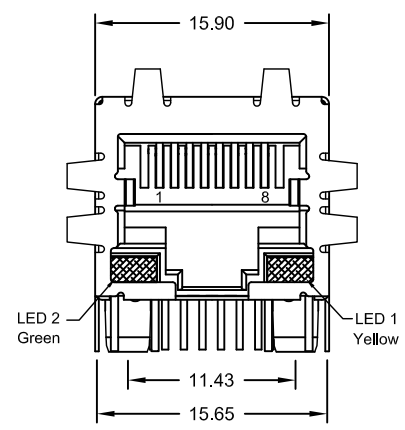
PART NUMBER	GOLD PLATING CONTACT AREA
MJS-188-K0LW-95/74CA	3µ"
MJS-188-K0LW-96/74CA	6µ"
MJS-188-K0LW-97/74CA	15µ"
MJS-188-K0LW-98/74CA	30µ"
MJS-188-K0LW-9H/74CA	50µ"



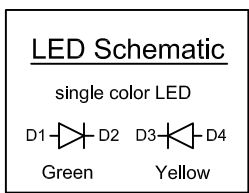
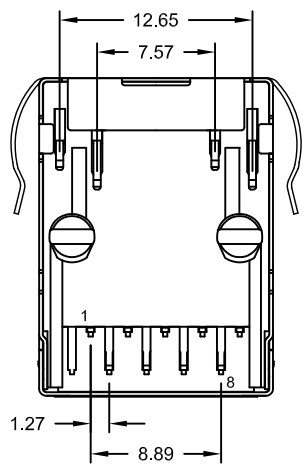
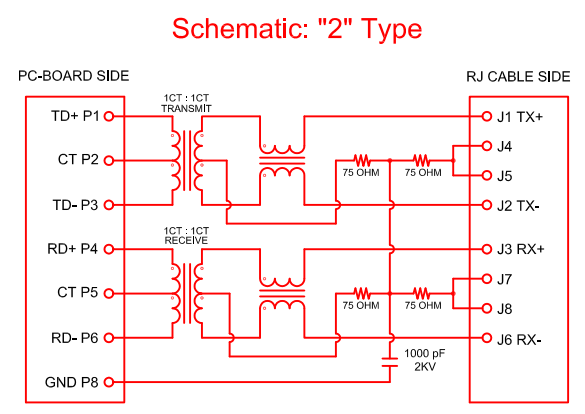
UNIT	SCALE	GENERAL TOLERANCE	DRAWN	DATE	DWG. NO.	SHEET 1/1
mm	Free	X.° ± X. ±	Ryan	15.04.2014	1342530	REV. A
		.X° ± .XX ± 0.25	Ronny	15.04.2014	SERIES NO.	
		.XXX° ± .XXX ±	Hogi	15.04.2014	MJS-188-K0LW-9x/7xCA	

Single Port RJ45 <8P8C> "TAB down"
 side entry long profile Type with LED
 fully shielded with Grd. Latches around
"W" Type 10/100 Base 4 core TX Filtered

REV.	DESCRIPTION	DATE	DRAWN
A	NEW	22.08.2014	Ryan



Recommended PCB Hole Layout Top View
(Tolerance ±0.05)



SPECIFICATION

MATERIALS
Insulator: PBT UL 94V-0 (black)
Contact: Phosphor Bronze t=0.35mm plated with Gold, and Tin in solder area
Shield: Brass; Ni plated

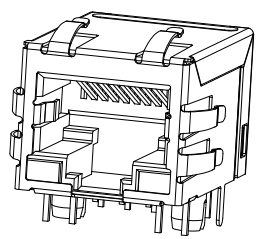
Operating Temperature: 0°C to +70°C
Storage Temperature: -40°C to +85°C

Cavity conform to FCC rules and Registration par68, subparts F

ELECTRICAL CHARACTERISTICS

- Test Notes: (25°C ±5°C)
- TR: (100KHz 0.1V):
Pins: (P1-P3):(J1-J2)=1:1±3%
Pins: (P4-P6):(J3-J6)=1:1±3%
 - LX: (100KHz 100mV 8mA DC Bias)
Pins: (P1-P3):(P4-P6)=350µH min.
 - DCR:
Pins: (J1-J2):(J3-J6)=1.2Ω max.
 - HIPOT:
Pins: (P1,P2,P3)to(J1,J2)=1500V AC for 60 Sec.
Pins: (P4,P5,P6)to(J3,J6)=1500V AC for 60 Sec.
 - INSERTION LOSS:
-1dB max. at 0.3MHz to 100MHz
 - RETURN LOSS:
-20dB min. at 1MHz to 30MHz
-15dB min. at 30MHz to 60MHz
-10dB min. at 60MHz to 80MHz
 - CROSS TALK:
-30dB min. at 1MHz to 100MHz
 - COMMON TO COMMON MODE REJECTION:
-30dB min. at 1MHz to 100MHz

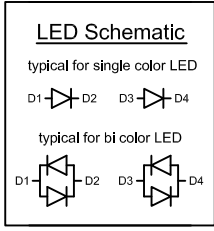
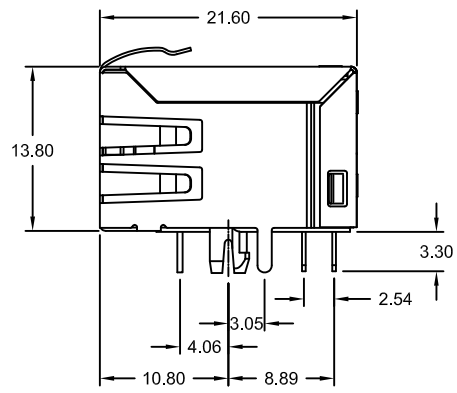
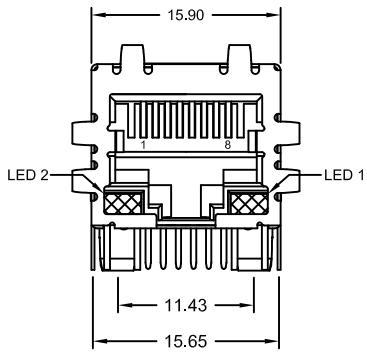
PART NUMBER	GOLD PLATING CONTACT AREA
MJS-188-K0L21-95/74CA	3µ"
MJS-188-K0L21-96/74CA	6µ"
MJS-188-K0L21-97/74CA	15µ"
MJS-188-K0L21-98/74CA	30µ"
MJS-188-K0L21-9H/74CA	50µ"



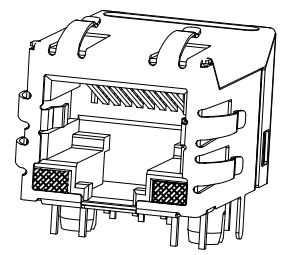
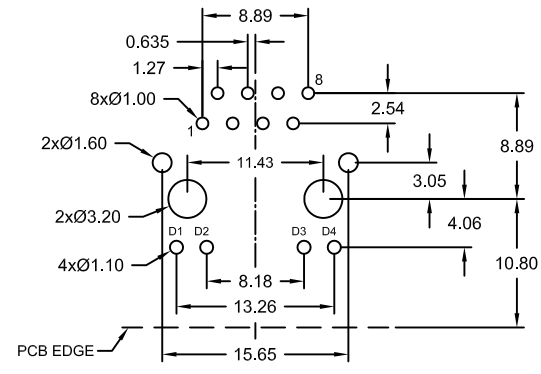
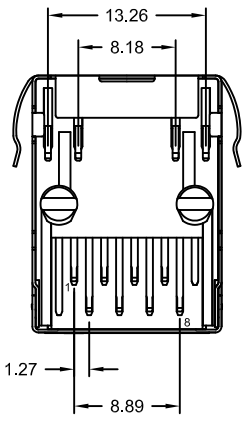
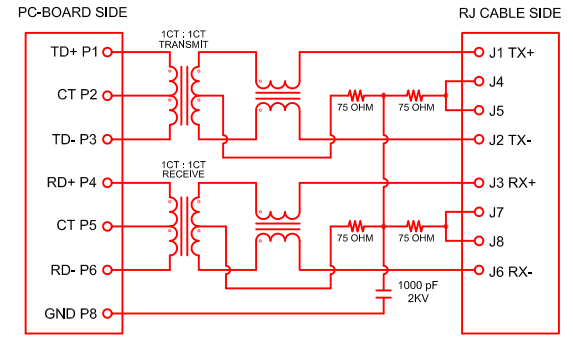
UNIT	GENERAL TOLERANCE	DRAWN	DATE	DWG. NO.	SHEET 1/1
mm	X.° ± X. ±	Ryan	22.08.2014	1342531	REV. A
SCALE Free	.X° ± .X ±	CHECK Ronny	22.08.2014	SERIES NO.	
	.XX° ± .XX ± 0.25	APPROVE Hogi	22.08.2014	MJS-188-K0L21-9x/7xCA	
	.XXX° ± .XXX ±				

Single Port RJ45 <8P8C> "TAB down"
side entry long profile Type with LED
fully shielded with Grd. Latches around
"2" Type 10/100 Base 4 core TX Filtered

REV.	DESCRIPTION	DATE	DRAWN
A	NEW	25.09.2015	Ryan



Schematic: "2" Type



Recommended PCB Layout Top View (Tolerance ±0.05)

ELECTRICAL CHARACTERISTICS

- Test Notes: (25°C ±5°C)
- TR: (100KHz 0.1V):
Pins: (P1-P3):(J1-J2)=1:1±3%
Pins: (P4-P6):(J3-J6)=1:1±3%
 - LX: (100KHz 100mV 8mA DC Bias)
Pins: (P1-P3):(P4-P6)=350µH min.
 - DCR:
Pins: (J1-J2):(J3-J6)=1.2Ω max.
 - HIPOT:
Pins: (P1,P3)to(J1,J2)=1500V AC for 60 Sec.
Pins: (P4,P6)to(J3,J6)=1500V AC for 60 Sec.
 - INSERTION LOSS:
-1.0dB max. at 0.3MHz to 100MHz
 - RETURN LOSS:
-18dB min. at 1MHz to 30MHz, load 100Ω
-16dB min. at 30MHz to 60MHz, load 100Ω
-12dB min. at 60MHz to 80MHz, load 100Ω
 - CROSS TALK:
-30dB min. at 1MHz to 100MHz
 - COMMON TO COMMON MODE REJECTION:
-30dB min. at 1MHz to 100MHz



Specifications

Material
Contact: Phosphor Bronze t=0.35mm
Plating: Sn on solder area;
Au on contact area
Shield: Brass, Ni plated
Insulator: LCP UL 94V-0
Operating temperature: -0°C to +70°C

Cavity comply with FCC Rules and Regulations Part 68, Subpart F

Replace "x" with LED Color Options

	LED Color Options	
	LED 2	LED 1
1	YELLOW	GREEN
2	NO LED	GREEN
3	GREEN	NO LED
4	GREEN	YELLOW
5	GREEN	GREEN
6	YELLOW	YELLOW
7	ORANGE/GREEN	ORANGE/GREEN
8	YELLOW/GREEN	YELLOW/GREEN
9	RED	NO LED
A	GREEN/YELLOW	GREEN/YELLOW
B	RED/GREEN	RED/GREEN
C	RED/GREEN	GREEN/YELLOW
D	GREEN	GREEN/YELLOW
E	YELLOW	GREEN/YELLOW

PART NUMBER	GOLD PLATING CONTACT AREA
MJS-188-K0L22-95/7xCA	3µ"
MJS-188-K0L22-96/7xCA	6µ"
MJS-188-K0L22-97/7xCA	15µ"
MJS-188-K0L22-98/7xCA	30µ"
MJS-188-K0L22-9H/7xCA	50µ"

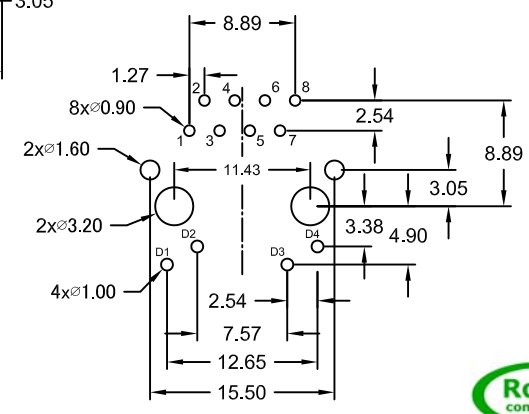
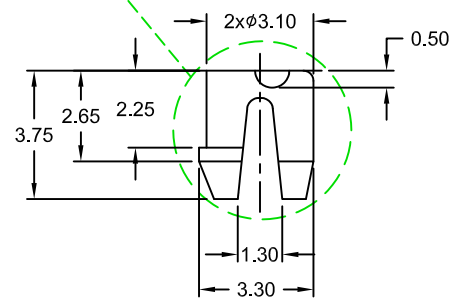
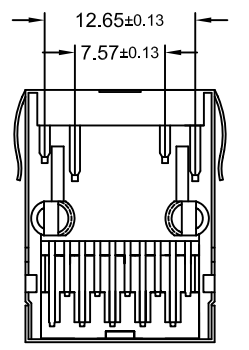
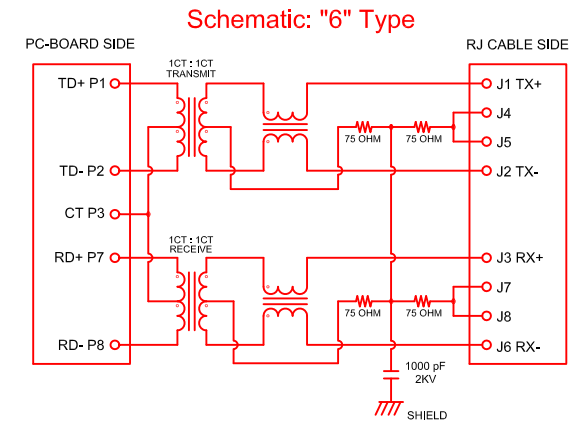
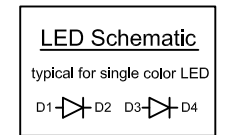
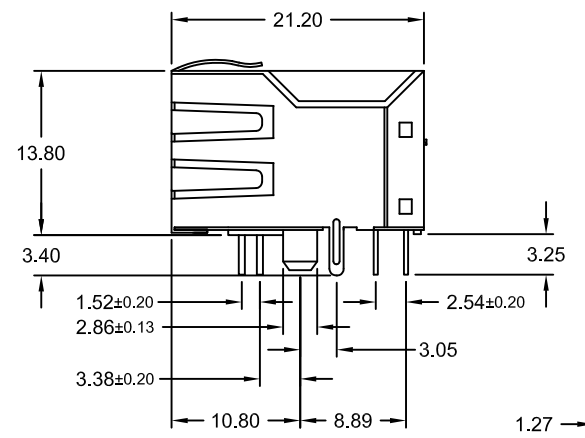
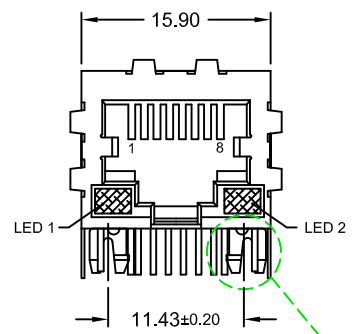
E-tec 2015 © - all rights reserved



UNIT	GENERAL TOLERANCE		DRAWN	DATE	DWG. NO.	SHEET 1/1
mm	X.° ±	X. ±	Ryan	25.09.2015	1342536	REV. A
SCALE	.X° ±	.X ±	CHECK	DATE	SERIES NO.	
Free	.XX° ±	.XX ± 0.25	Ronny	30.09.2015	MJS-188-K0L22-9x/7xCA	
	.XXX° ±	.XXX ±	APPROVE	DATE		
			Hogi	30.09.2015		

RJ45 PCB JACK <8P/8C> "Tab down"
side entry, long profile Type with LED fully shielded, with Grd. Latches around **2 Type** 10/100 Mbps, 4 core TX Filtered

REV.	DESCRIPTION	DATE	DRAWN
A	New	01.12.2015	Cherry



Recommended PCB Layout Top View
(Tolerance ±0.05)

Electrical Characteristics

- Test Notes: (25°C ±5°C)
- TR: (100KHz 0.1V): 1:1±5%
 - LX: (100KHz 100mV 8mA DC Bias) 350µH min.
 - DCR: 1.2Ω max.
 - HIPOT: 1500V AC for 60 Sec.
 - INSERTION LOSS: -1.0dB max. at 1MHz to 100MHz
 - RETURN LOSS (100Ω ±5Ω): -16dB min. at 1MHz to 30MHz, -14dB min. at 30MHz to 40MHz, -13.5dB min. at 40MHz to 50MHz, -13dB min. at 50MHz to 60MHz, -10dB min. at 60MHz to 80MHz
 - CROSS TALK: -40dB min. at 1MHz to 30MHz, -35dB min. at 30MHz to 60MHz, -30dB min. at 60MHz to 100MHz
 - COMMON TO COMMON MODE REJECTION: -30dB min. at 1MHz to 30MHz, -25dB min. at 30MHz to 60MHz, -20dB min. at 60MHz to 125MHz

Specifications

Material
Housing: Nylon 46 UL 94V-0 (black)
Contact: Phosphor Bronze t=0.35mm
Plating: Au on solder area;
Au on contact area
entire contact Ni underplated
Shield: Copper Alloy t=0.20mm; Ni plated

Storage temperature: -40°C to +85°C
Operating temperature: 0°C to +70°C

Operating life: 750 cycles min.

Cavity comply with FCC Rules and Regulations Part 68, Subpart F

Replace "x" with LED Color Options

PART NUMBER	GOLD PLATING CONTACT AREA	LED Color Options	
		LED 2	LED 1
MJS-188-K3L6-55/7xCA	3µ"	1 YELLOW	GREEN
MJS-188-K3L6-56/7xCA	6µ"	2 NO LED	GREEN
MJS-188-K3L6-57/7xCA	15µ"	3 GREEN	NO LED
MJS-188-K3L6-58/7xCA	30µ"	4 GREEN	YELLOW
MJS-188-K3L6-5H/7xCA	50µ"	5 GREEN	GREEN
		6 YELLOW	YELLOW
		9 RED	NO LED

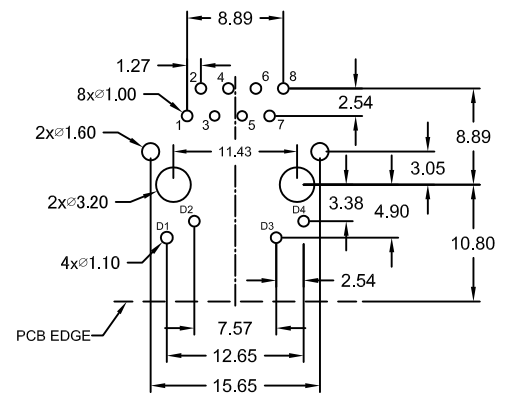
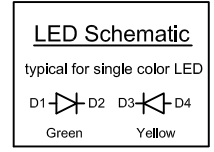
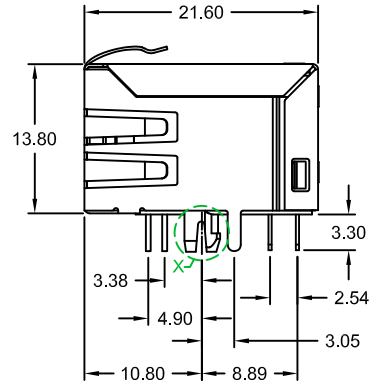
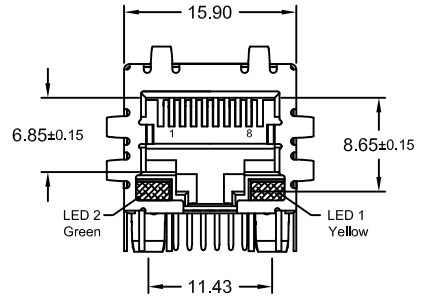
E-tec 2015 © - all rights reserved



UNIT	GENERAL TOLERANCE		DRAWN	DATE	DWG. NO.	SHEET 1/1
mm	X.° ±	X. ±	Cherry	01.12.2015	1342537	
SCALE	.X° ±	.X ±	CHECK	DATE	SERIES NO.	REV. A
Free	.XX° ±	.XX ± 0.25	Ronny	02.12.2015	MJS-188-K3L6-xx/7xCA	
	.XXX° ±	.XXX ±	APPROVE	DATE		
			Hogi	02.12.2015		

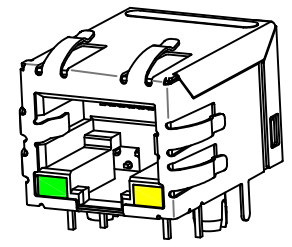
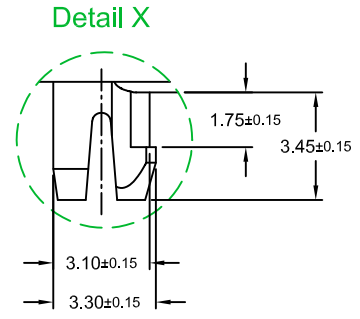
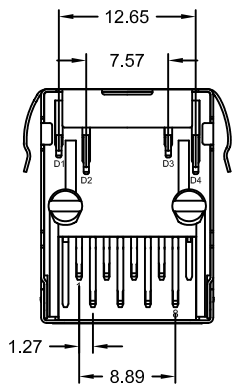
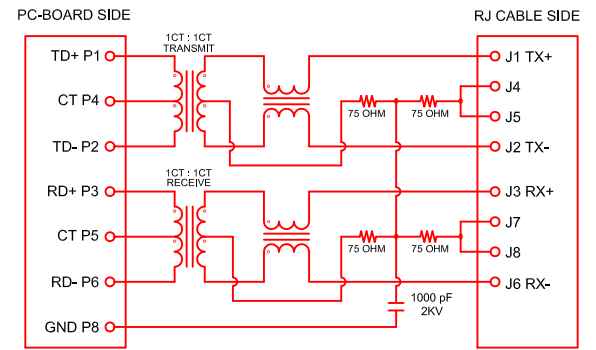
RJ45 PCB JACK <8P/8C> "Tab down"
side entry, long profile Type with LED
fully shielded, with gnd. Latches around
Type "6" 10/100 Mbps 4 core TX Filtered

REV.	DESCRIPTION	DATE	DRAWN
A	New	27.01.2016	Cherry



Recommended PCB Layout Top View (Tolerance ±0.05)

Schematic: "E" Type



Specifications

Material
 Housing: PBT UL 94V-0 (black)
 Contact: Copper Alloy t=0.35mm
 Plating: Sn on solder area;
 Au flash on contact area
 Shield: Copper Alloy; Ni plated

Storage temperature: -40°C to +85°C
 Operating temperature: 0°C to +70°C

Operating life: 750 cycles min.

Cavity comply with FCC Rules and Regulations Part 68, Subpart F

Electrical Characteristics

- Test Notes: (25°C ±5°C)
- TR: (100KHz 0.1V):
 Pins: (P1-P2):(J1-J2)=1:1±3%
 Pins: (P3-P6):(J3-J6)=1:1±3%
 - LX: (100KHz 100mV 8mA DC Bias)
 Pins: (P1-P2):(P3-P6)=350µH min.
 - DCR:
 Pins: (J1-J2):(J3-J6)=1.2Ω max.
 - HIPOT:
 Pins: (P1,P2)to(J1,J2)=1500V AC for 60 Sec.
 Pins: (P3,P6)to(J3,J6)=1500V AC for 60 Sec.
 - INSERTION LOSS:
 -1.0dB max. @ 1MHz to 100MHz
 - RETURN LOSS (100Ω ±5Ω):
 -18dB min. @ 1MHz to 30MHz
 -16dB min. @ 30MHz to 60MHz
 -12dB min. @ 60MHz to 80MHz
 - CROSS TALK:
 -30dB min. @ 1MHz to 100MHz
 - COMMON TO COMMON MODE REJECTION:
 -30dB min. @ 1MHz to 100MHz

PART NUMBER	GOLD PLATING CONTACT AREA
MJS-188-K0LE-95/74CA	flash
MJS-188-K0LE-96/74CA	6µ"
MJS-188-K0LE-97/74CA	15µ"
MJS-188-K0LE-98/74CA	30µ"
MJS-188-K0LE-9H/74CA	50µ"

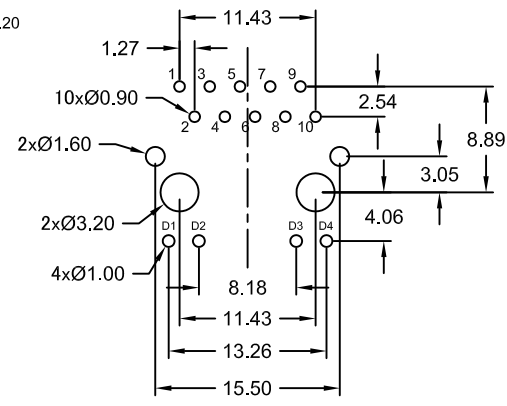
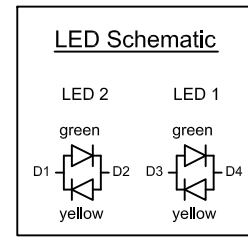
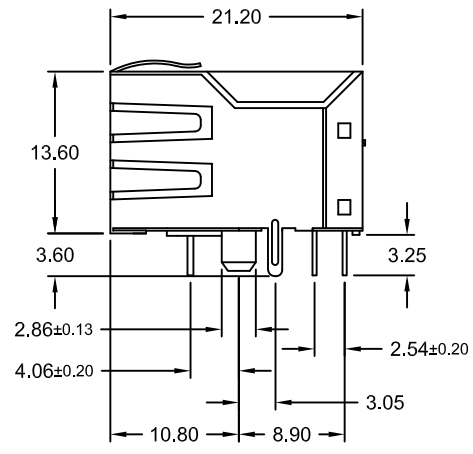
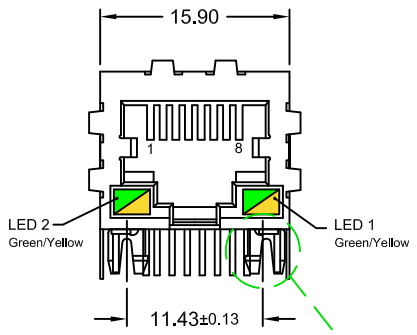
E-tec 2015 © - all rights reserved



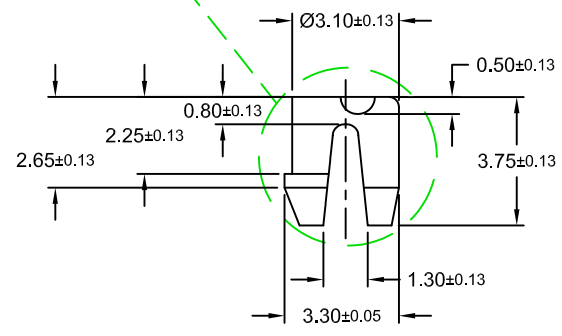
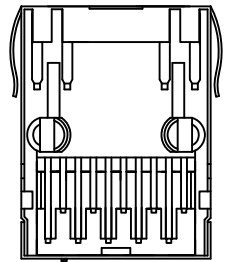
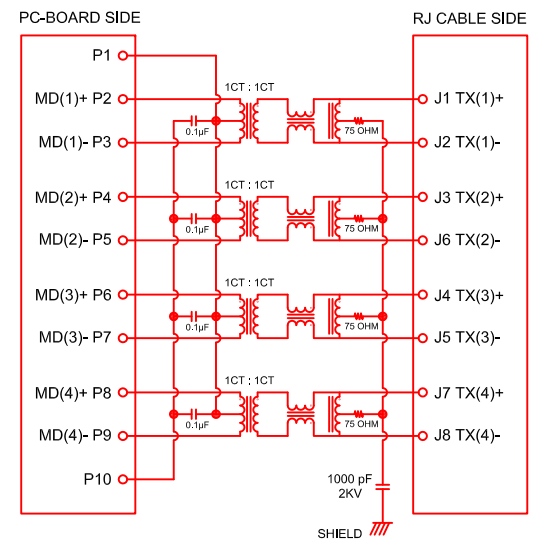
UNIT	GENERAL TOLERANCE	DRAWN	DATE	DWG. NO.	SHEET 1/1
mm	X.° ± X. ±	Cherry	27.01.2016	1342539	
SCALE	.X° ± .X ±	CHECK	DATE	SERIES NO.	REV. A
Free	.XX° ± .XX ± 0.25	Ronny	27.01.2016	MJS-188-K0LE-9x/74CA	
	.XXX° ± .XXX ±	APPROVE	DATE		
		Hogi	27.01.2016		

RJ45 PCB JACK <8P/8C> "Tab down"
 side entry, long profile Type with LED
 fully shielded, with gnd. Latches around
Type "E" 10/100 Mbps 4 core TX Filtered

REV.	DESCRIPTION	DATE	DRAWN
A	New	13.10.2016	Cherry



Schematic: "AG" Type



Recommended PCB Layout Top View
(Tolerance ±0.05)

Electrical Characteristics

- Test Notes: (25°C ±5°C)
- TR: (100KHz 0.1V):
1CT:1CT ±5%
 - LX: (100KHz 100mV 8mA DC Bias)
350µH min.
 - DCR:
1.2Ω max.
 - HIPOT:
1250V AC for 60 Sec.
 - INSERTION LOSS:
-1.0dB max. at 1MHz to 100MHz
-1.2dB max. at 100MHz to 125MHz
 - RETURN LOSS (100Ω ±5Ω):
-16dB min. @ 1MHz to 40MHz, load 100Ω
-12dB min. @ 40MHz to 60MHz, load 100Ω
-8dB min. @ 80MHz to 100MHz, load 100Ω
 - CROSS TALK:
-30dB min. @ 1MHz to 100MHz
 - COMMON TO COMMON MODE REJECTION:
-30dB min. @ 1MHz to 100MHz

Specifications

Material
Housing: PBT UL 94V-0 (black)
Contact: Phosphor Bronze t=0.35mm
Plating: Au
Shield: Brass t=0.20mm; Ni plated

Storage temperature: -40°C to +125°C
Operating temperature: 0°C to +70°C

Operating life: 750 cycles min.

Cavity comply with FCC Rules and Regulations Part 68, Subpart F



PART NUMBER	GOLD PLATING CONTACT AREA
MJS-188-K3LAG-5H/7ACA	50µ"

E-tec 2016 © - all rights reserved



UNIT	mm	GENERAL TOLERANCE		DRAWN	DATE	DWG. NO.	SHEET 1/1
SCALE	Free	X.° ±	X. ±	Cherry	13.10.2016	1342543	REV. A
		.XX° ±	.X ±	Ronny	13.10.2016	SERIES NO.	
		.XXX° ±	.XXX ± 0.25	Hogi	13.10.2016	MJS-188-K3Lx-5H/7ACA	

RJ45 PCB JACK <8P/8C> "Tab down"
side entry, long profile Type with LED
fully shielded, with gnd. Latches around
Type "AG" 10/100 Mbps 12 core TX Filtered