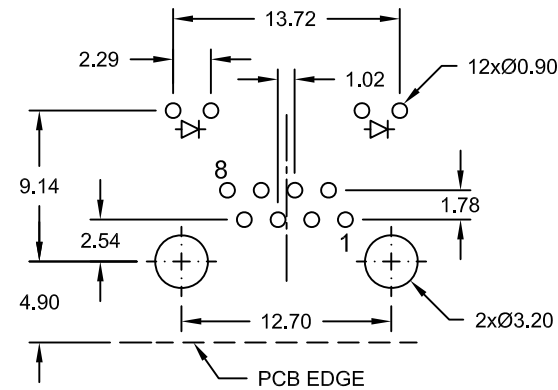
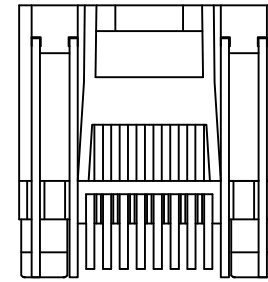
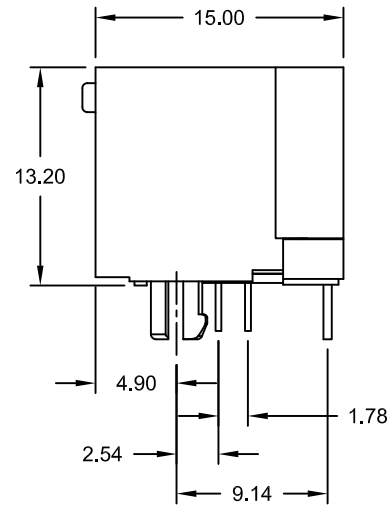
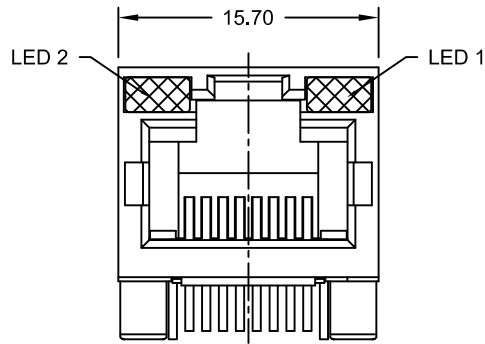
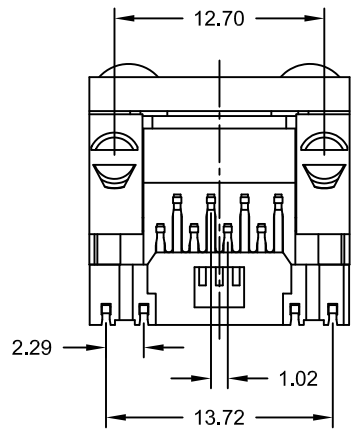


REV.	DESCRIPTION	DATE	DRAWN
A	Initial Release	22.03.2007	Michael
B	back side view	24.09.2010	Ronny
C	New DWG. No.	01.02.2012	Ronny
D	Add plating & LED code	17.05.2013	Ryan



RECOMMENDED PCB LAYOUT
(TOLERANCE ±0.05) TOP VIEW



Replace "x" with
LED Color Options

PART NUMBER	GOLD PLATING CONTACT AREA
MJS-188-L0S0-95/x	3µ"
MJS-188-L0S0-96/x	6µ"
MJS-188-L0S0-97/x	15µ"
MJS-188-L0S0-98/x	30µ"
MJS-188-L0S0-9H/x	50µ"

	LED Color Options	
	LED 2	LED 1
1	YELLOW	GREEN
2	NO LED	GREEN
3	GREEN	NO LED
4	GREEN	YELLOW
5	GREEN	GREEN
6	YELLOW	YELLOW
7	ORANGE/GREEN	ORANGE/GREEN
8	YELLOW/GREEN	YELLOW/GREEN
9	RED	NO LED
A	GREEN/YELLOW	GREEN/YELLOW
B	RED/GREEN	RED/GREEN
C	RED/GREEN	GREEN/YELLOW
D	GREEN	GREEN/YELLOW
E	YELLOW	GREEN/YELLOW

Materials

Contact: PhBz t=0.35mm
Plating: Au on contact area;
Sn on solder area
Insulator: PBT UL 94V-0 (Black)

Storage temperature: -40°C to +85°C

Cavity Confirms to FCC Rules
and Registration PAR68, Subparts F

Specifications Electrical

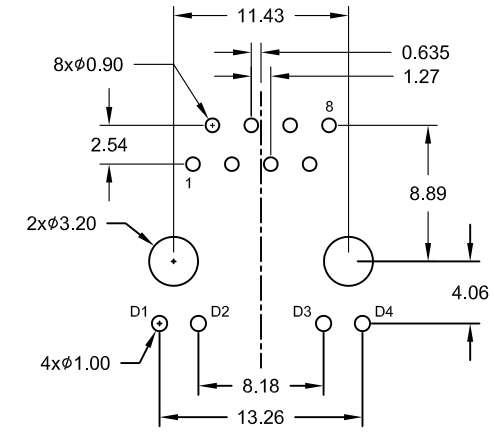
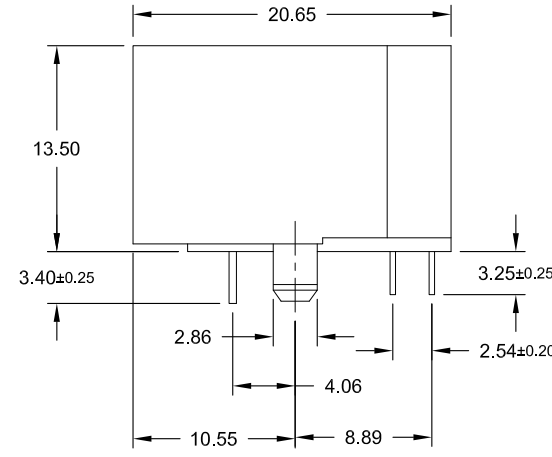
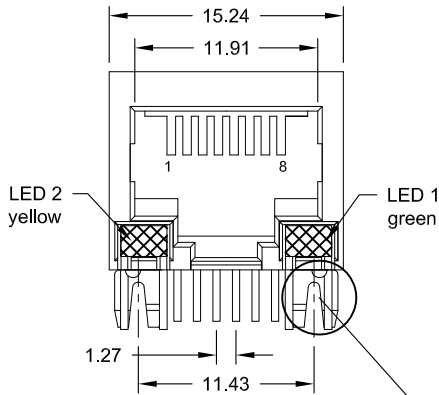
Insulation resistance: 500MΩ min.
Withstanding voltage: 1000V AC 1 Minute
Contact resistance: 50mΩ max.



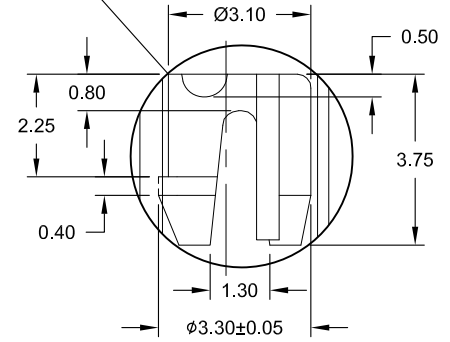
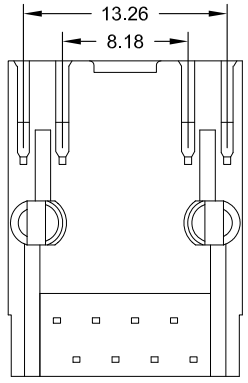
UNIT	GENERAL TOLERANCE		DRAWN	DATE	DWG. NO.	SHEET 1/1
mm	X.° ± 5°	X. ± 0.30	Michael	22.03.2007	1321500	REV. D
SCALE	.X° ± 3°	.X ± 0.25	CHECK	17.05.2013		
Free	.XX° ± 2°	.XX ± 0.20	APPROVE	DATE	SERIES NO.	
	.XXX° ± 1°	.XXX ± 0.10	Hogi	17.05.2013	MJS-1xx-L0S0-9x/x	

SIDE ENTRY RJ45 PCB JACK <8P/8C>
short profile with LED "TAB UP"
NON shielded - open back type

REV.	DESCRIPTION	DATE	DRAWN
A	NEW	14.01.2014	Ryan



Recommended PCB Layout
(Top View)



LED Schematic
 typical for single color LED



Materials

Contact: Phosphor Bronze (t=0.35mm)
 Plating: Au flash in solder area; Au in contact area
 Shield: Copper Alloy (t=0.25mm)
 Plating: Ni
 Insulator: Nylon 46 UL 94V-0 (Black)

Operating temperature: -40°C to +85°C

Cavity confirms to FCC Rules and Registration PAR68, Subparts F

PART NUMBER	GOLD PLATING CONTACT AREA
MJS-188-LL3L0-55/1	3µ"
MJS-188-LL3L0-56/1	6µ"
MJS-188-LL3L0-57/1	15µ"
MJS-188-LL3L0-58/1	30µ"
MJS-188-LL3L0-5H/1	50µ"

Specifications

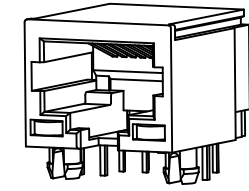
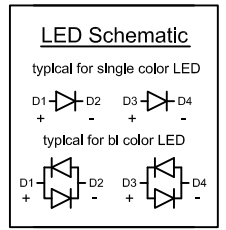
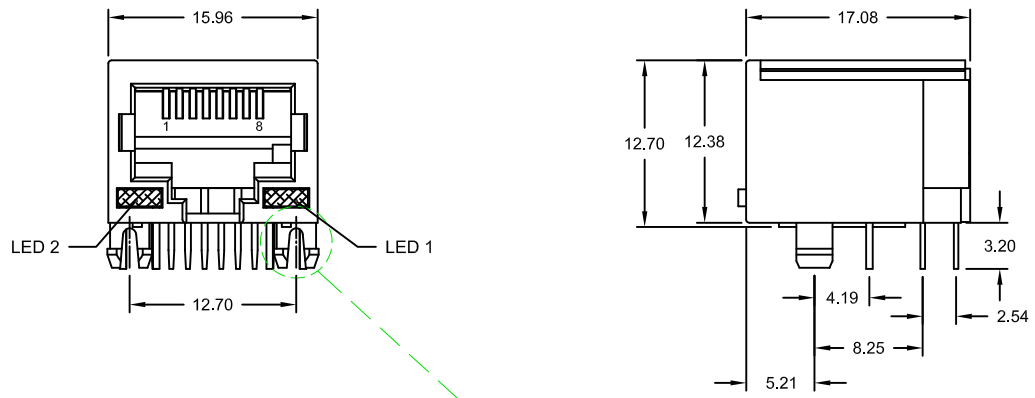
Current rating: 1.5A
 Insulation resistance: 500MΩ min.
 Withstanding voltage: 1000V rms 60Hz / Minute
 Contact resistance: 50mΩ max.



UNIT mm	GENERAL TOLERANCE		DRAWN Ryan	DATE 14.01.2014	DWG. NO. 1321502	SHEET 1/1	
	X.° ±	X. ±					
	SCALE Free	.X° ±	.X ± 0.25	CHECK Ronny	DATE 14.01.2014	SERIES NO. MJS-188-LL3L0-xx/x	REV. A
		.XX° ±	.XX ± 0.20				
	.XXX° ±	.XXX ± 0.05	APPROVE Hogi	DATE 14.01.2014			

RJ45 PCB Jack <8P8C> side entry
"TAB DOWN" long profile with LED
non shielded

REV.	DESCRIPTION	DATE	DRAWN
A	NEW	21.01.2016	Cherry



Specifications

Electrical
 Current rating: 1.5A
 Insulation resistance: 500MΩ min. @ 500V DC
 Contact resistance: 50mΩ max.
 Withstanding voltage: 1000V AC rms 50Hz / Minute

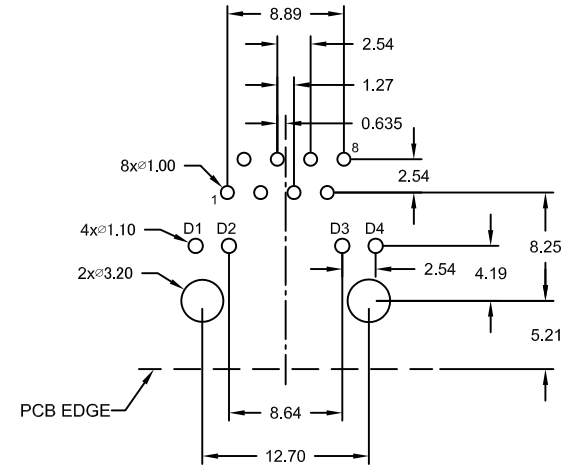
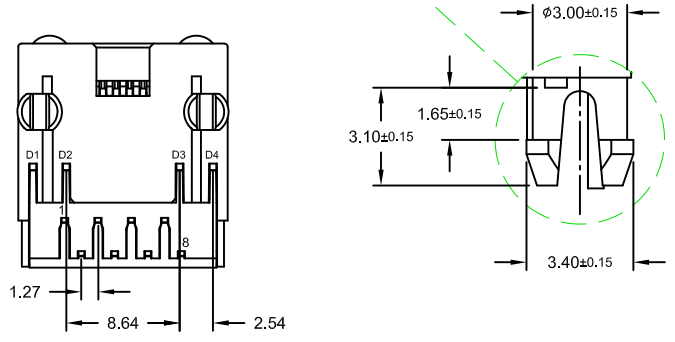
Material

Contact: Copper Alloy t=0.35mm
 Plating: Sn on solder area,
 Au on contact area;
 entire contact Ni underplated
 Insulator: PBT (black) UL 94V-0

Storage temperature: -40°C to +85°C
 Operating temperature: 0°C to +70°C

Mechanical Requirements

Operating Life: 750 cycles min.
 Cavity comply with FCC Rules and Regulations
 Part 68, Subpart F



Recommended PCB Layout Top View
 (Tolerance ±0.05)

Replace "x" with
 LED Color Options

LED Color Options	
LED 2	LED 1
1	YELLOW GREEN
2	NO LED GREEN
3	GREEN NO LED
4	GREEN YELLOW
5	GREEN GREEN
6	YELLOW YELLOW
7	ORANGE/GREEN ORANGE/GREEN
8	YELLOW/GREEN YELLOW/GREEN
9	RED NO LED
A	GREEN/YELLOW GREEN/YELLOW
B	RED/GREEN RED/GREEN
C	RED/GREEN GREEN/YELLOW
D	GREEN GREEN/YELLOW
E	YELLOW GREEN/YELLOW
P	ORANGE/GREEN YELLOW

PART NUMBER	GOLD PLATING CONTACT AREA
MJS-188-LL0S0-95/x	flash
MJS-188-LL0S0-96/x	6μ"
MJS-188-LL0S0-97/x	15μ"
MJS-188-LL0S0-98/x	30μ"
MJS-188-LL0S0-9H/x	50μ"

E-tec 2015 © - all rights reserved



UNIT mm	GENERAL TOLERANCE		DRAWN Cherry	DATE 21.01.2016	DWG. NO. 1321503	SHEET 1/1
	SCALE Free	X.° ±	X. ±	CHECK Ronny	DATE 21.01.2016	REV. A
		.XX° ±	.XX ± 0.25	APPROVE Hogi	DATE 21.01.2016	SERIES NO. MJS-188-LL0S0-9x/x
		.XXX° ±	.XXX ±			

THT Side Entry PCB Jack
 RJ45 <8P8C> "Tab down"
 Short profile Type with LED
 NON shielded