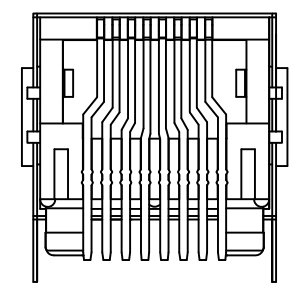
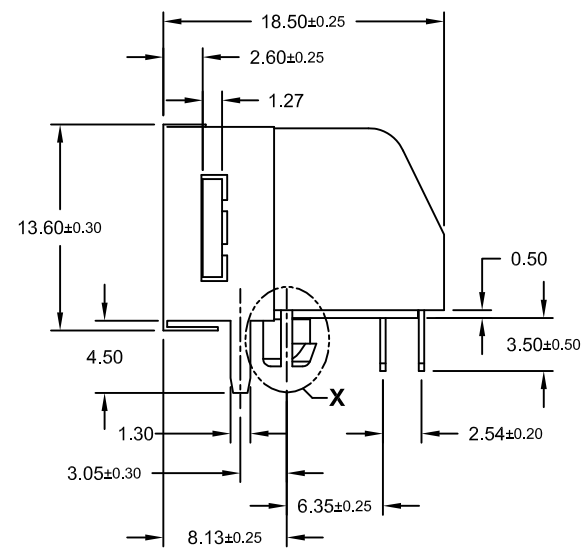
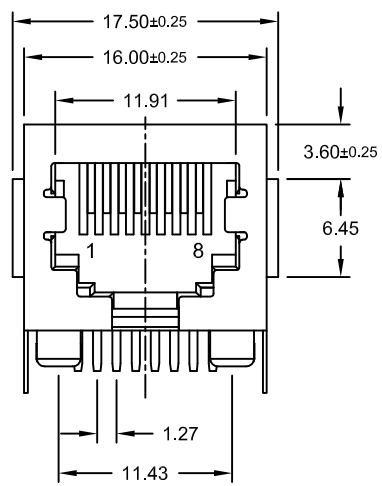
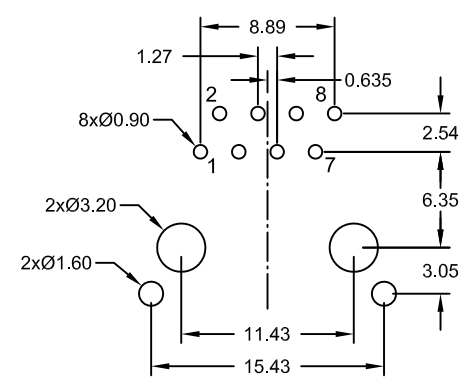
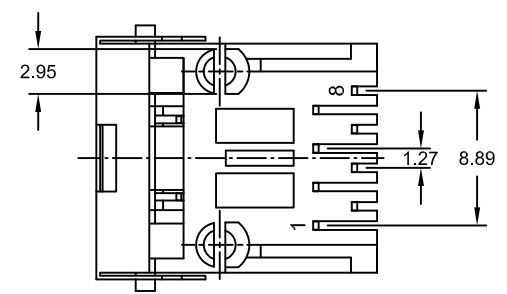
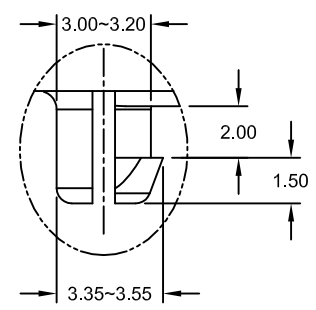


REV.	DESCRIPTION	DATE	DRAWN
A	New	24.06.2013	Ronny



Detail X



Recommended PCB Layout
Tolerance: ±0.05 (Top View)



PART NUMBER	GOLD PLATING CONTACT AREA
MJS-188-D3M30-56/0ES	6µ"
MJS-188-D3M30-57/0ES	15µ"
MJS-188-D3M30-58/0ES	30µ"
MJS-188-D3M30-5H/0ES	50µ"

Specifications

Current rating: 1A max.
 Insulation resistance: 500MΩ min. Initial, 200MΩ min. Final
 Voltage rating: 150V AC max.
 Withstanding voltage:
 1000V rms at 60Hz, 1 Minute between adjacent contacts.
 1500V rms at 60Hz, 1 Minute shield and contacts.
 Contact resistance: 40mΩ max. Initial, 50mΩ max. Final

Materials

Contact: Phosphor Bronze
 Plating: Au in solder area; Au in contact area
 Insulator: PBT with Glas Fiber UL 94V-0 (Black)
 Shield: Brass; Ni plated
 Operating temperature: -40°C to +85°C
 Cavity conforms to FCC Rules and Registration PAR68, Subparts F



UNIT	mm	GENERAL TOLERANCE		DRAWN	DATE	DWG. NO.	SHEET 1/1
SCALE	Free	X.° ±	X. ±	Ronny	24.06.2013	1351501	REV. A
		.X° ±	.X ± 0.25	CHECK	DATE	SERIES NO.	
		.XX° ±	.XX ± 0.13	Andres	24.06.2013	MJS-188-D3M30-5x_0ES	
		ANG. ±	.XXX ± 0.05	APPROVE	DATE		
				HOGI	24.06.2013		

RJ45 PCB JACK <8P/8C>
 side entry with panel stop
 semi shielded **Tab down**