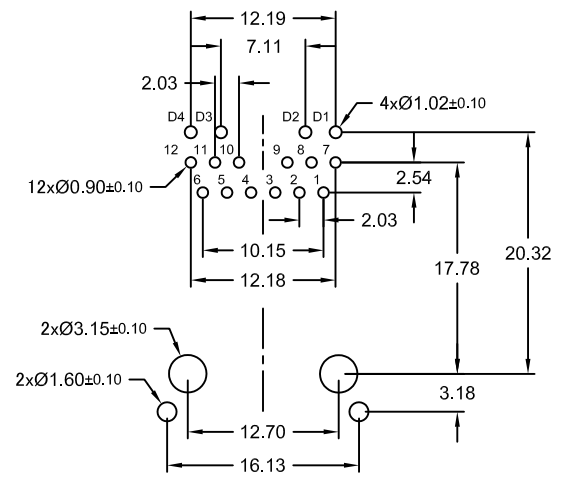
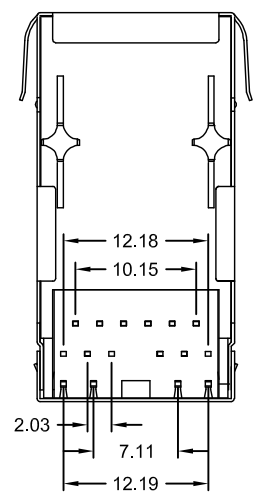
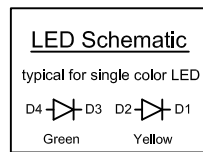
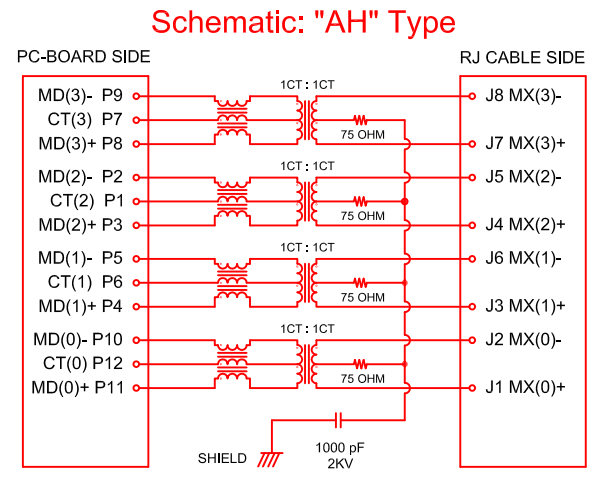
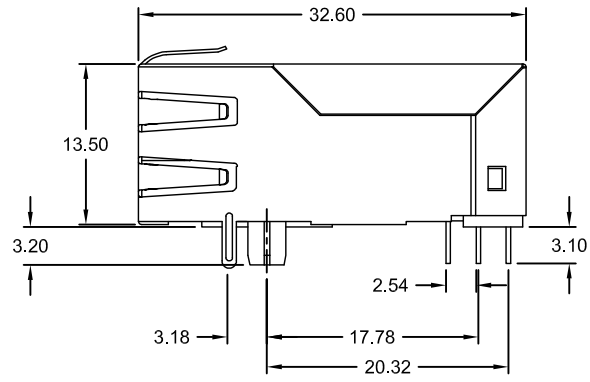
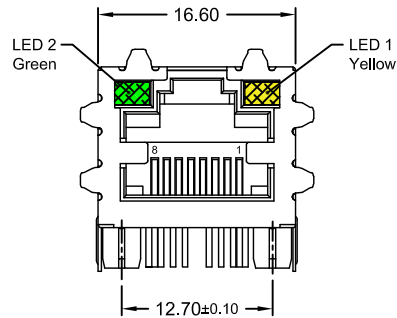


REV.	DESCRIPTION	DATE	DRAWN
A	New	02.12.2016	Cherry



Recommended PCB Hole Layout Top View  
(Tolerance: ±0.05)

**Specifications**

**Material**  
 Insulator: PBT (black) UL 94V-0  
 Contact: Copper Alloy  
 Plating: Sn on solder area;  
 Au on contact area;  
 entire contact Ni underplated  
 Shield: Copper Alloy ; Ni plated

Operating temperature: -40°C to +85°C  
 Storage temperature: -40°C to +85°C

Operating Life: 800 Cycles min.

Cavity comply with FCC Rules and Regulations Part 68, Subpart F

**Electrical Characteristics**

Test Notes: (25°C ±5°C)

- TR: (100KHz 0.1V):  
 Pins: (P9-P8):(J8-J7)=1:1±3%  
 Pins: (P2-P3):(J5-J4)=1:1±3%  
 Pins: (P5-P4):(J6-J3)=1:1±3%  
 Pins: (P10-P11):(J2-J1)=1:1±3%
- LX: (100KHz 100mV 8mA DC Bias)  
 Pins: (P9-P8),(P2-P3),(P5-P4),(P10-P11)=350µH min.
- DCR:  
 Pins: (J8-J7),(J5-J4),(J6-J3),(J2-J1)=1.2Ω max.
- HIPOT:  
 Pins: (P9-P8)to(J8-J7)=1500V AC or 2250V DC for 60 Sec.  
 Pins: (P2-P3)to(J5-J4)=1500V AC or 2250V DC for 60 Sec.  
 Pins: (P5-P4)to(J6-J3)=1500V AC or 2250V DC for 60 Sec.  
 Pins: (P10-P11)to(J2-J1)=1500V AC or 2250V DC for 60 Sec.
- INSERTION LOSS:  
 -1.2dB max. @ 100KHz to 100MHz
- RETURN LOSS:  
 -18dB min. @ 1MHz to 30MHz, Load 100Ω  
 -14dB min. @ 30MHz to 60MHz, Load 100Ω  
 -12dB min. @ 60MHz to 80MHz, Load 100Ω
- CROSS TALK:  
 -30dB min. @ 1MHz to 100MHz
- COMMON TO COMMON MODE REJECTION:  
 -30dB min. @ 1MHz to 100MHz

PART NUMBER	GOLD PLATING CONTACT AREA
MJS-1812-MGKLAH-96/S4CA	6µ"
MJS-1812-MGKLAH-97/S4CA	15µ"
MJS-1812-MGKLAH-98/S4CA	30µ"

E-tec 2016 © - all rights reserved



UNIT	GENERAL TOLERANCE	DRAWN	DATE	DWG. NO.	SHEET 1/1
mm	X.° ± X. ±	Cherry	02.12.2016	1342544	REV. A
SCALE Free	.X° ± .X ±	CHECK Ronny	09.12.2016	SERIES NO.	
	.XX° ± .XX ± 0.25	APPROVE Hogi	12.12.2016	MJS-1812-MGKLAH-9x/S4CA	
	.XXX° ± .XXX ±				

**RJ45 PCB JACK <8P12C> "Tab up"**  
 side entry, long profile Type with LED  
 fully shielded, with gnd. Latches around  
**"AH" Type** 10/100/1000 Mbps 8 core TX Filtered