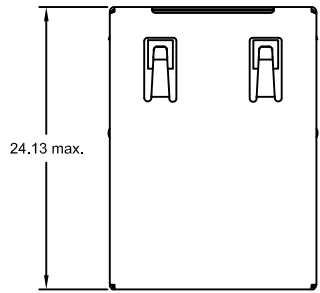


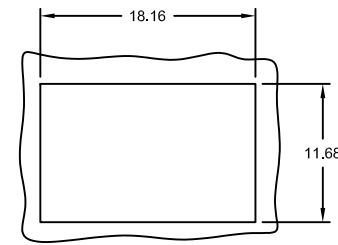
REV.	DESCRIPTION	DATE	DRAWN
A	New	31.10.2013	Ronny
B	correct PN -128- -> -1812-	14.12.2016	Ronny



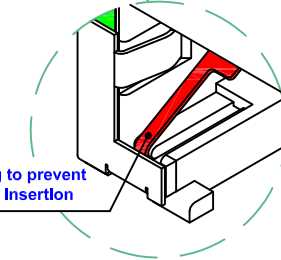
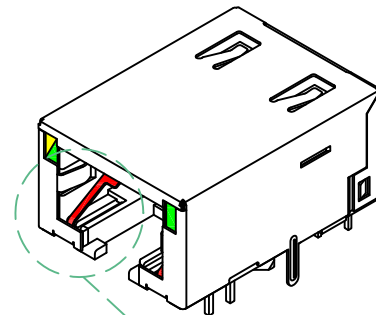
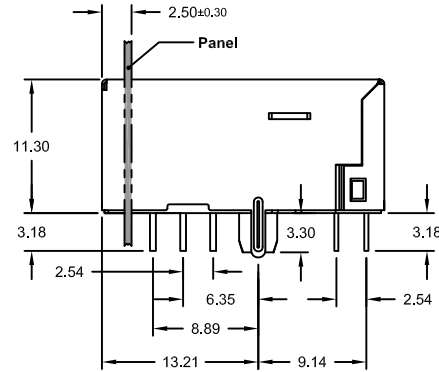
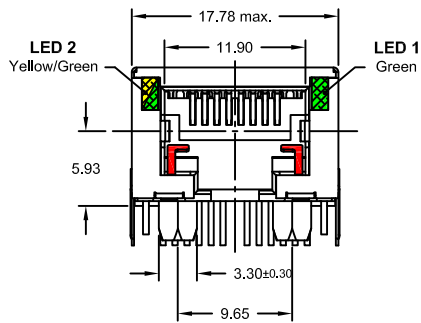
LED Color	VF(V) @20mA		IV(mcd) @20mA	IF (mA)	Dominant wave Length λP (mm) @20mA
	Typ.	max.	max.	Typ.	max.
Yellow	2	2,6	20	50	590
Green	2	2,6	18	25	572
Green	2	2,6	25	50	573

LED SCHEMATIC

LED 2: YELLOW/GREEN	LED 1: GREEN



Recommended Panel Cutout

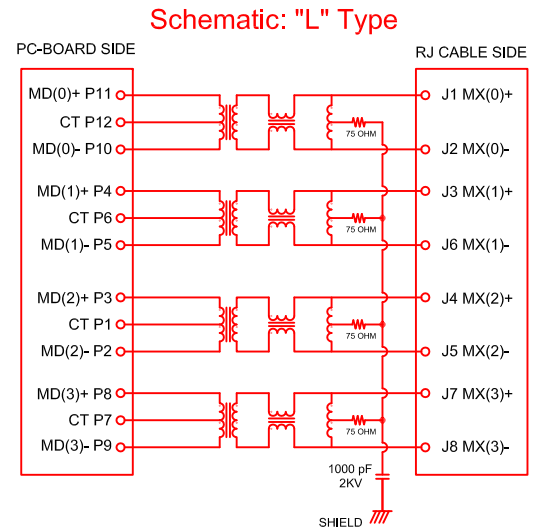


Steel spring to prevent RJ11 plug Insertion



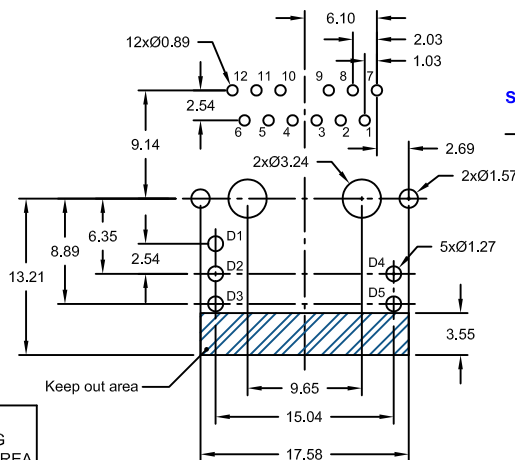
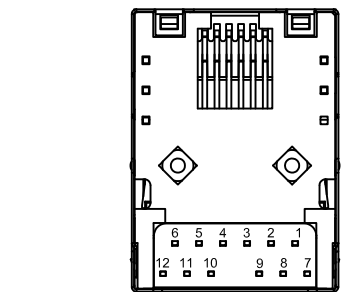
Specifications

Material
Housing: LCP UL 94V-0 (black)
Contact: t=0.35mm PHBz; Au 30µ" over Ni plated
Solder Pin: Copper 0.35x0.45mm;
Sn over Ni plated
Shield: Copper Alloy; Ni plated t=0.20mm
Operating life: 750 Cycles min.
Temperature range:
Operating -40°C to +85°C
Peak Soldering Temperature for wave soldering process
260°C max., 10 sec. max.
Cavity comply with FCC Rules and Regulations Part 68, Subpart F



Electrical Characteristics

- Test Notes: (25°C ±5°C)
- TR: Input to Output = 1:1±3%
 - LX: (100KHz 100mV 8mA DC Bias) 350µH min.
 - DCR: every RJ pair = 1.2Ω max.
 - HIPOT: Input to Output PIN = 1500V AC for 60 Sec.
Input to Metal ground PIN = 2250V AC for 60 Sec.
 - INSERTION LOSS: -0.8dB max. @ 0.3MHz to 100MHz
-1.2dB max. @ 100MHz to 125MHz
 - RETURN LOSS -20dB min. @ 1MHz to 10MHz
-16dB min. @ 30MHz
-12dB min. @ 60MHz to 100MHz
 - CROSS TALK: -40dB min. @ 1MHz to 10MHz
-35dB min. @ 30MHz to 60MHz
-30dB min. @ 60MHz to 100MHz
 - COMMON TO COMMON MODE REJECTION: -30dB min. @ 0.3MHz to 100MHz



Recommended PCB Layout Top View
(Tolerance ±0.08)

PART NUMBER	GOLD PLATING CONTACT AREA
MJS-1812-KCLLL-98/HCS	30µ"

E-tec 2016 © - all rights reserved



UNIT	GENERAL TOLERANCE		DRAWN	DATE	DWG. NO.	SHEET 1/1
mm	X.° ±	X. ±	Ronny	31.10.2013	1342528	REV. B
SCALE	.X° ±	.X ±	Hogi	14.12.2016	SERIES NO.	
	.XX° ±	.XX ± 0.25	APPROVE	DATE	MJS-1812-KCLLL-9x/XCX	
	.XXX° ±	.XXX ±	Hogi	14.12.2016		

RJ45 PCB JACK <8P12C> "Tab down"
side entry, long profile Type with LED
fully shielded, without gnd. Latches
"L" Type 10/100/1000 Mbps 8 core TX Filtered