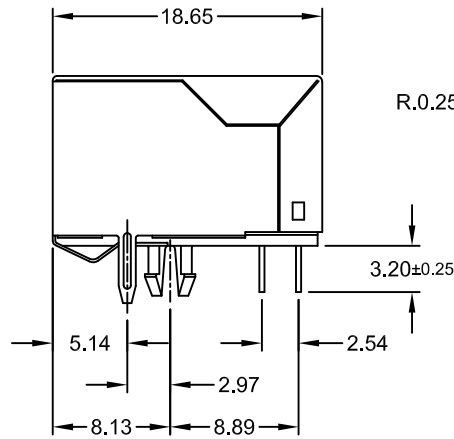
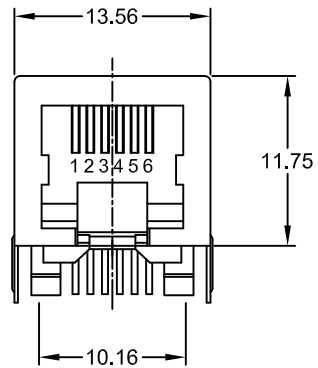
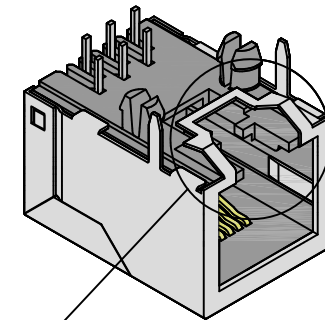
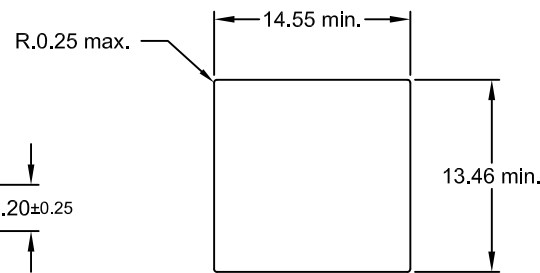


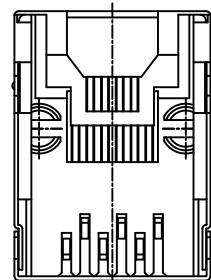
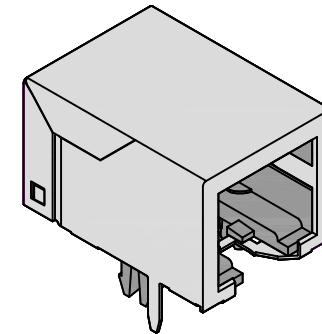
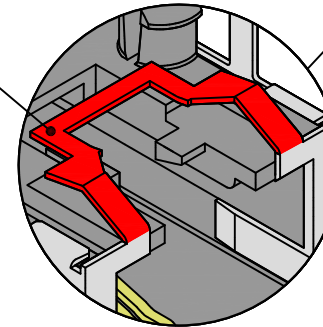
REV.	LOCAS.	DESCRIPTION	DATE	DRAWN
A		NEW	06.11.2008	RH
B		update description	03.02.2011	Ronny
C		3D - update	03.02.2011	Ronny
D		New DWG. No.	01.02.2012	Ronny



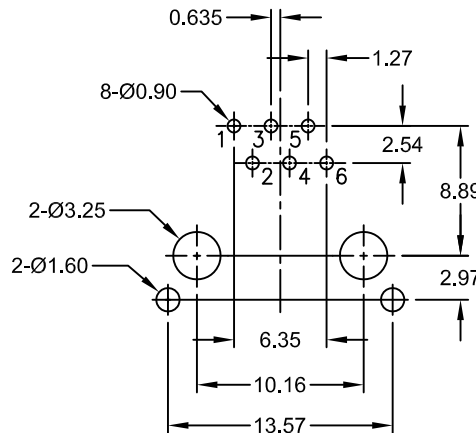
Recommended Panel Cutout



bottom ground latch



Recommended Hole Pattern
Top View



Specifications

Current rating: 1.5A
 Insulation resistance: 500MΩ min./500V DC
 Withstanding voltage: 1000V rms. 60Hz/Minute
 Contact resistance: 40mΩ max./20mV DC
 Operating temperature: -40°C to +105°C

Materials

Contact: Phosphor Bronze
 Plating: Sn on solder area; Au on contact area
 Insulator: PBT UL 94V-0 (Black)
 Shielded: Brass; Ni plated

Cavity conforms to FCC Rules and Registration PAR68, Supports F

PART NUMBER	GOLD PLATING CONTACT AREA
MJS-166-S1S0-96/9CS	6μ"
MJS-166-S1S0-97/9CS	15μ"
MJS-166-S1S0-98/9CS	30μ"
MJS-166-S1S0-9H/9CS	50μ"



UNIT	mm
SCALE	Free

GENERAL TOLERANCE	
X.° ±	X. ± 0.50
.X° ±	.X ± 0.38
.XX° ±	.XX ± 0.25
ANG ± 3°	.XXX ± 0.10

DRAWN	RONNY	DATE	06.11.2008
CHECK	RONNY	DATE	01.02.2012
APPROVE	HOGI	DATE	01.02.2012

DWG. NO.	1331300	SHEET 1/1
SERIES NO.	MJS-166-S1Sx-9x/9CX	REV. D

RJ12 PCB Jack <6P6C>
 medium profile - side entry - tab down
 fully shielded with bottom ground latch