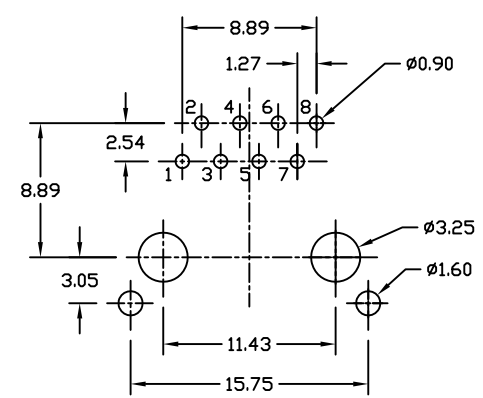
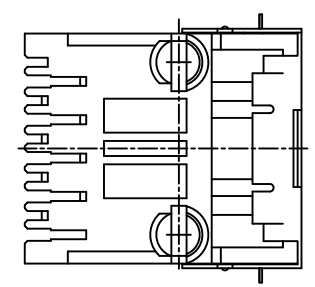
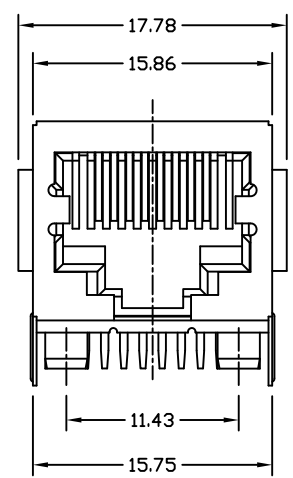
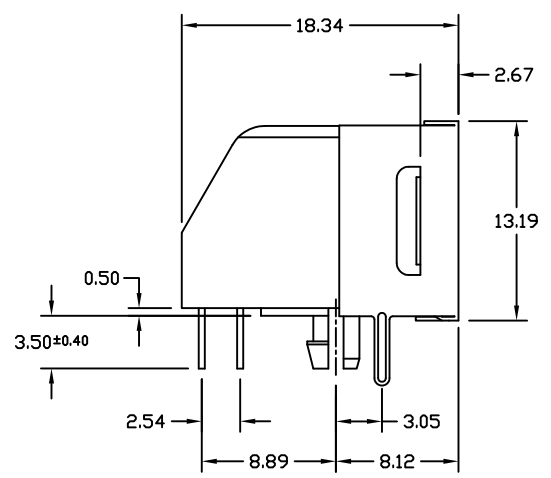


REV.	DESCRIPTION	DATE	DRAWN
A	RoHS	07.05.2007	RH
B	New DWG. No. / PN S3AL0 -> S1M30	01.02.2012	Ronny
C	PN S1M30 -> D1M30	18.06.2013	Ronny



RECOMMENDED HOLE PATTERN

PART NUMBER	GOLD PLATING CONTACT AREA
MJS-108-D1M30-96/0ES	6µ"
MJS-108-D1M30-97/0ES	15µ"
MJS-108-D1M30-98/0ES	30µ"
MJS-108-D1M30-9H/0ES	50µ"



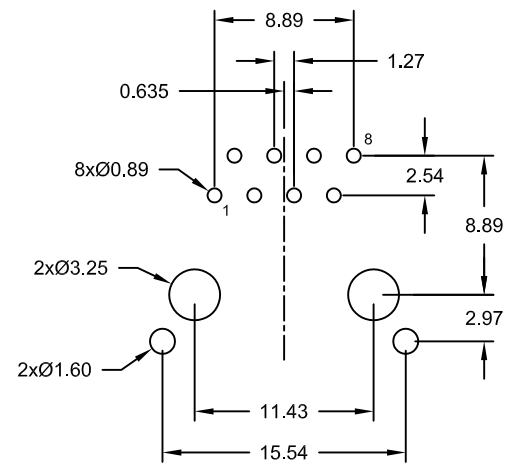
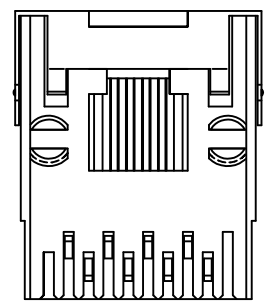
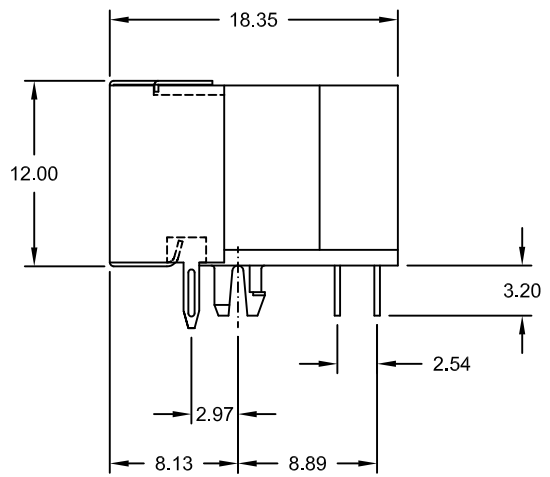
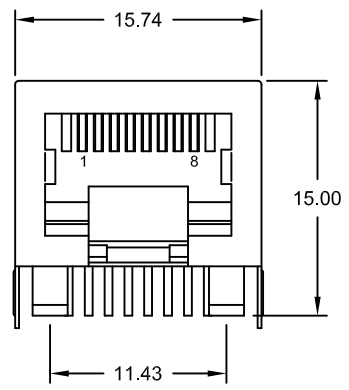
NOTE:
 1. MATERIAL: HOUSING-PBT POLYESTER UL94V-0
 STANDARD COLOR-BLACK
 CONTACT-0.35mm THICKNESS PhZ
 GOLD OVER Ni IN CONTACT AREA
 TIN OVER Ni IN SOLDER AREA
 SHIELD-0.25mm THICKNESS COPPER ALLOY
 NICKEL PLATED
 2. CAVITY CONFIRMS TO FCC RULES AND
 REGISTRATION PAR68, SUBPARTS F.



UNIT	mm	GENERAL TOLERANCE		DRAWN	DATE	DWG. NO.	SHEET 1/1
SCALE	Free	X.° ±	X. ±	IVY	05.04.2001	1351600	REV. C
		.X° ±	.X ±	Ronny	18.06.2013	SERIES NO.	
		.XX° ±	.XX ±	APPROVE	DATE	MJS-108-D1M30-xx/0ES	
		ANG. ± 0.5°	.XXX ±	HOGI	18.06.2013		

RJ50 PCB JACK <10P/8C>
 SIDE ENTRY WITH PANEL STOP
 SEMI SHIELDED

REV.	DESCRIPTION	DATE	DRAWN
A	NEW	02.01.1993	RH
B	update description	07.02.2011	Ronny
C	New DWG. No.	01.02.2012	Ronny
D	update RoHS: add Temperature range	31.08.2015	Ronny



Specifications

Electrical

Current rating: 1.5A
 Insulation resistance: 500MΩ min.
 Withstanding voltage: 1000V AC 1 Minute
 Contact resistance: 50mΩ max.

Material

Contact: Phosphor Bronze
 Plating Selective: Au over Ni in contact area,
 Sn over Ni in solder area;
 Insulator: PBT (black) UL 94V-0

Operating temperature: -0°C to +70°C
 Storage temperature: -40°C to +80°C

PART NUMBER	GOLD PLATING CONTACT AREA
MJS-108-S1M0-96/9ES	6μ"
MJS-108-S1M0-97/9ES	15μ"
MJS-108-S1M0-98/9ES	30μ"
MJS-108-S1M0-9H/9ES	50μ"

Recommended PCB Hole Layout (Top View)



UNIT	GENERAL TOLERANCE		DRAWN	DATE	DWG. NO.	SHEET 1/1
mm	X.° ±	X. ±	RH	02.01.1993	1351601	REV. D
SCALE	.X° ±	.X ±	CHECK	31.08.2015	SERIES NO.	
Free	.XX° ±	.XX ± 0.25	APPROVE	31.08.2015	MJS-108-S1M0-9x/9ES	
	.XXX° ±	.XXX ±	Hogi			

RJ50 PCB Jack <10P8C>
 side entry - medium profile
 front shielded