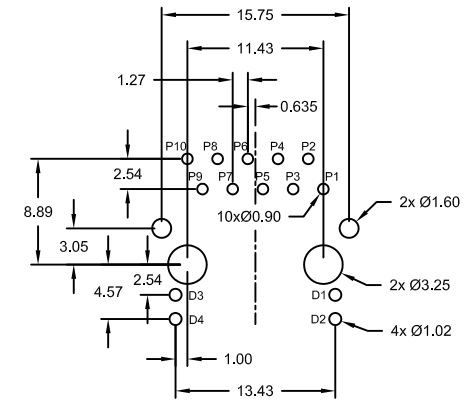
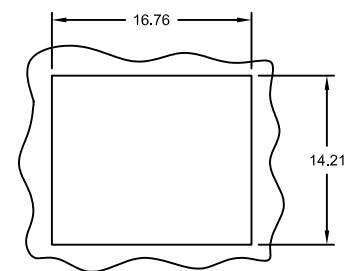
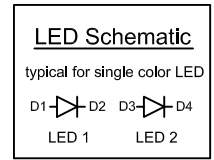
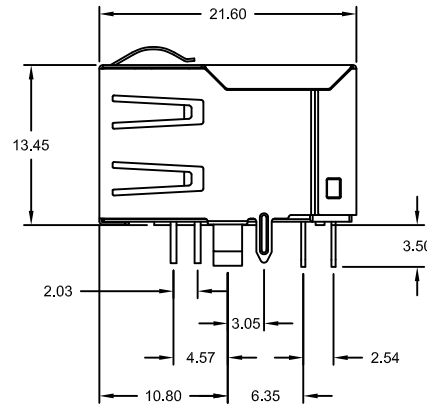
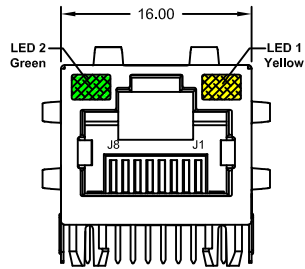
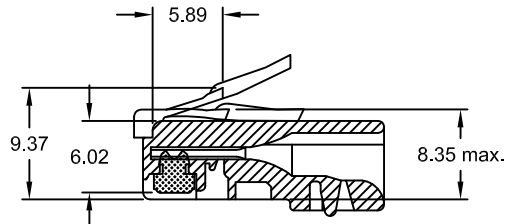
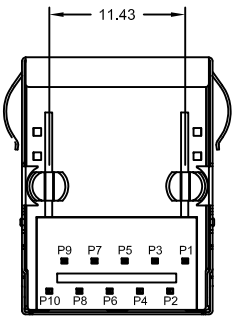


| REV. | DESCRIPTION       | DATE       | DRAWN |
|------|-------------------|------------|-------|
| A    | New               | 10.12.2015 | Ronny |
| B    | Plating: 96 -> 98 | 06.01.2016 | Ronny |

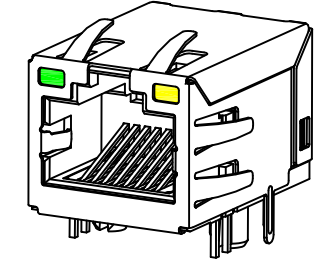
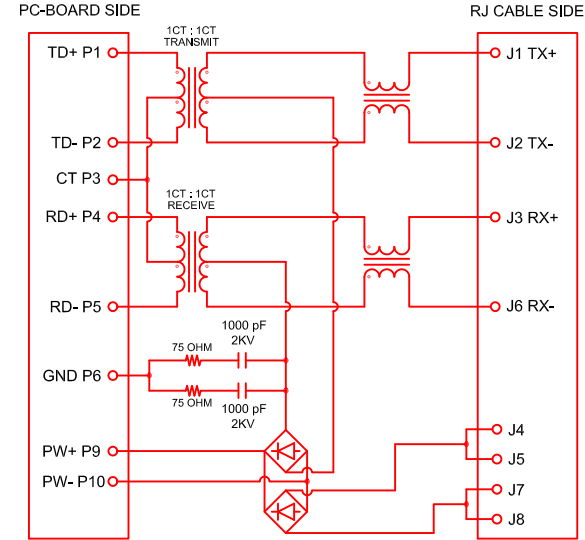


Recommended PCB Hole Layout Top View  
 (Tolerance: ±0.08)



Recommended Plug Dimensions

**Schematic: "AC" Type**



**SPECIFICATION**

**Materials**  
 Insulator: PBT UL 94V-0 (black)  
 Contact: Phosphor Bronze t=0.35mm  
 Plating: Sn on solder area;  
 Au on contact area  
 Shield: Brass t=0.25; Ni plated

Operating Life: 750 Cycles min.  
 Temperature range: 0°C to +70°C

Cavity comply with FCC Rules and Regulations Part 68, Subpart F

- Electrical Characteristics @ 25°C ±5°C**
- TR: (100KHz 0.1V):  
Input to Output = 1:1±3%
  - LX: (100KHz 100mV 8mA DC Bias)  
350µH min.
  - DCR:  
every RJ pair = 1.2Ω max.
  - HIPOT:  
Input to Output Pin = 1500V AC for 60 Sec.
  - INSERTION LOSS:  
-1dB max. at 0.3MHz to 100MHz
  - RETURN LOSS:  
-20dB min. at 1MHz to 30MHz  
-15dB min. at 30MHz to 60MHz  
-10dB min. at 60MHz to 80MHz
  - CROSS TALK:  
-30dB min. at 1MHz to 100MHz
  - COMMON TO COMMON MODE REJECTION:  
-30dB min. at 1MHz to 100MHz
  - WORKING CURRENT FOR PoE:  
350mA

| PART NUMBER            | GOLD PLATING CONTACT AREA |
|------------------------|---------------------------|
| MJS-108-MPGLAC-98/74CA | 30µ"                      |

E-tec 2015 © - all rights reserved



| UNIT | SCALE | GENERAL TOLERANCE | DRAWN | DATE       | DWG. NO.               | SHEET 1/1 |
|------|-------|-------------------|-------|------------|------------------------|-----------|
| mm   | Free  | X.° ± X. ±        | Ronny | 10.12.2015 | 1342538                | REV. B    |
|      |       | .X° ± .XX ± 0.25  | Fagi  | 06.01.2016 | SERIES NO.             |           |
|      |       | .XXX° ± .XXX ±    | Hogi  | 06.01.2016 | MJS-108-MPGLAC-9x/7xCA |           |

**RJ45 PCB JACK <10P/8C> "Tab up"**  
 side entry, long profile Type with LED  
 fully shielded with gnd. latches  
**"AC" Type** 10/100 Mbps, PoE 4 core TX Filtered