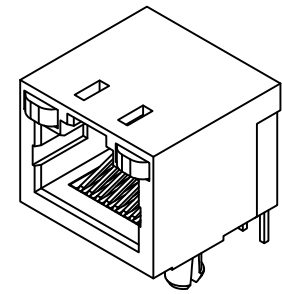
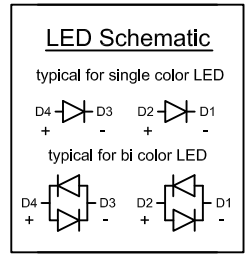
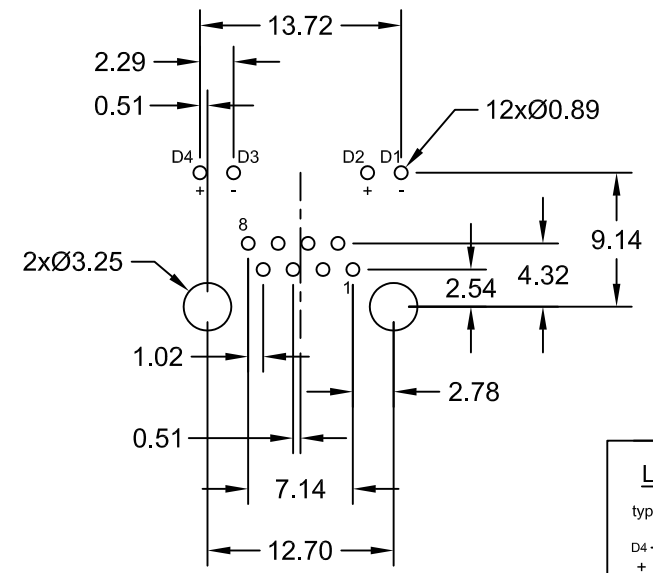
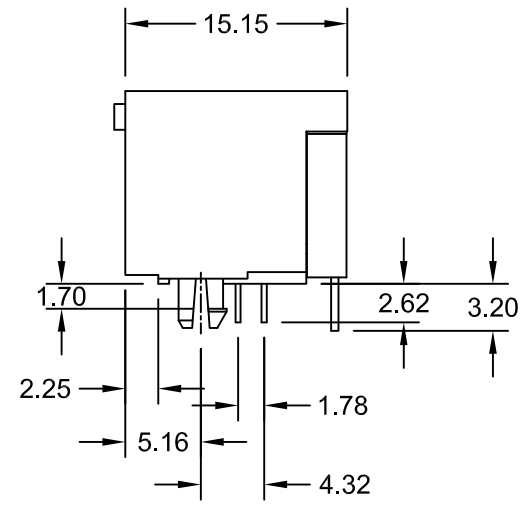
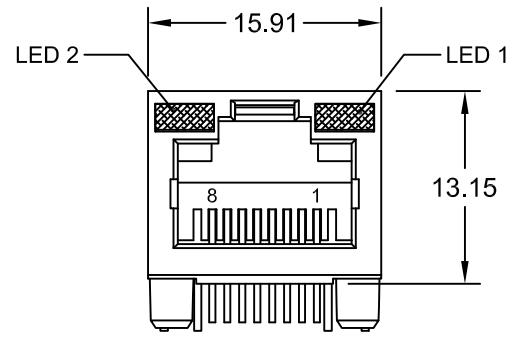
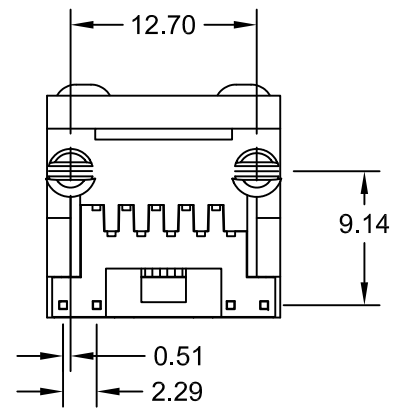


REV.	DESCRIPTION	DATE	DRAWN
A	NEW	27.10.2015	Cherry



Recommended PCB Hole Layout Top View
(Tolerance: ±0.05)



PART NUMBER	GOLD PLATING CONTACT AREA
MJS-108-L1S0-96/x	6µ"
MJS-108-L1S0-97/x	15µ"
MJS-108-L1S0-98/x	30µ"
MJS-108-L1S0-9H/x	50µ"

Replace "x" with LED Color Options

LED Color Options	
LED 2	LED 1
1	YELLOW GREEN
2	NO LED GREEN
3	GREEN NO LED
4	GREEN YELLOW
5	GREEN GREEN
6	YELLOW YELLOW
7	ORANGE/GREEN ORANGE/GREEN
8	YELLOW/GREEN YELLOW/GREEN
9	RED NO LED
A	GREEN/YELLOW GREEN/YELLOW
B	RED/GREEN RED/GREEN
C	RED/GREEN GREEN/YELLOW
D	GREEN GREEN/YELLOW
E	YELLOW GREEN/YELLOW



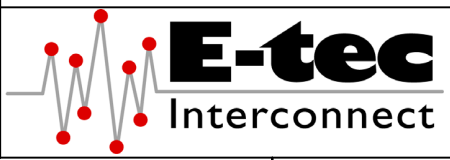
Specifications

Electrical
 Current rating: 1.5A
 Insulation resistance: 500MΩ min. / 500V DC
 Withstanding voltage: 1000V AC 60Hz / Minute
 Contact resistance: 50mΩ max. / 20mV DC

Material

Contact: Phosphor Bronze t=0.30mm
 Plating: Sn on solder area;
 Au on contact area
 Insulator: PBT (black) UL 94V-0
 Operating temperature: -40°C to +105°C
 Cavity comply with FCC Rules and Regulations Part 68, Subpart F

E-tec 2015 © - all rights reserved



UNIT mm	GENERAL TOLERANCE		DRAWN Cherry	DATE 27.10.2015	DWG. NO. 1321600	SHEET 1/1
	SCALE Free	X.° ±	X. ±	CHECK Ronny	DATE 27.10.2015	REV. A
		.XX° ±	.XX ± 0.25	APPROVE Hogi	DATE 27.10.2015	SERIES NO. MJS-108-L1S0-9x/x
		.XXX° ±	.XXX ±			

THT Side Entry PCB Jack
 RJ50 <10P8C> "Tab up"
 short profile Type with LED
 NON shielded