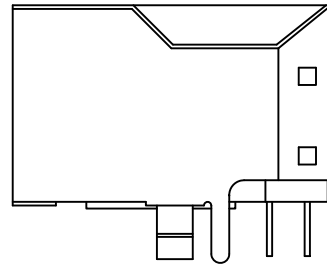
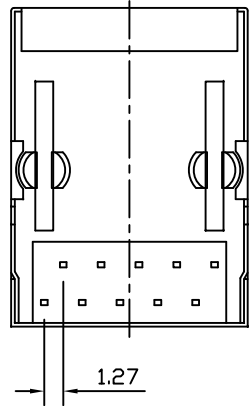
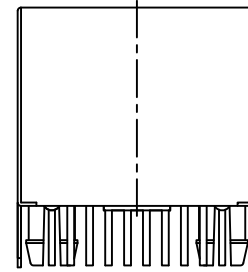
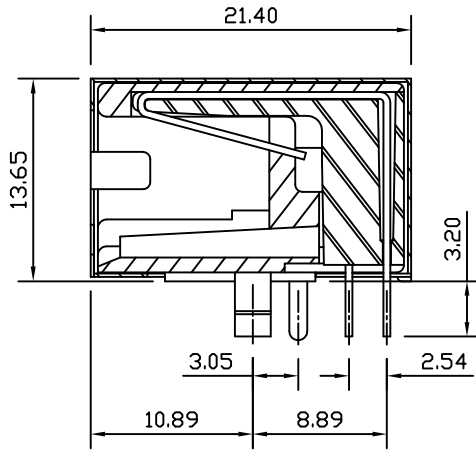
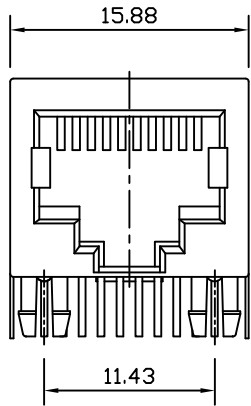
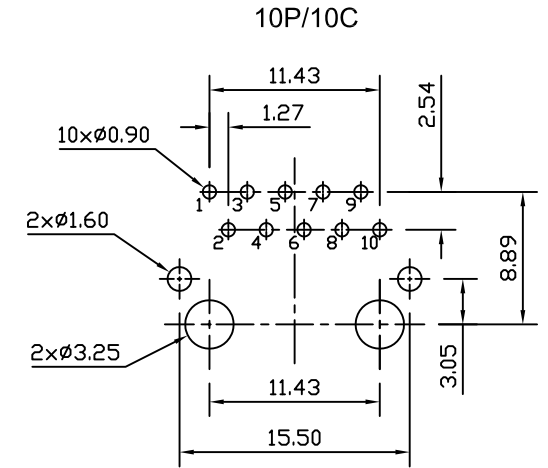


REV.	LOCAS.	DESCRIPTION	DATE	DRAWN
A		NEW	14.07.2009	Ronny
B		update description	03.02.2011	Ronny
C		New DWG. No.	01.02.2012	Ronny



RECOMMENDED HOLE PATTERN



NOTE :

- ELECTRICAL:
 - VOLTAGE RATING: 150V rms.
 - CURRENT RATING: 1.5 A max.
 - CONTACT RESISTANCE: 40m Ω max.
 - INSULATION RESISTANCE: 1000M min. at 500V DC
 - DIELECTRIC STRENGTH: 1000V AC rms. 60Hz 1 MINUTE
- MATERIAL:
 - HOUSING - PBT BLACK UL94V-0
 - INSERT - PBT BLACK UL94V-0
 - CONTACT - 0.35 x 0.42mm STAMPED PhBz
SELECTIVE PLATED TIN/GOLD OVER NICKEL
 - SHIELD - 0.25mm THICK BRASS; NICKEL PLATED
- CAVITY CONFIRMS TO FCC RULES AND REGISTRATION PAR68, SUBPARTS F.



PART NUMBER	GOLD PLATING CONTACT AREA
MJS-100-S1L0-96/7CS	6μ"
MJS-100-S1L0-97/7CS	15μ"
MJS-100-S1L0-98/7CS	30μ"
MJS-100-S1L0-9H/7CS	50μ"

UNIT	SCALE	GENERAL TOLERANCE	DRAWN	DATE	DWG. NO.	SHEET 1/1
mm	Free	X.° ± X ± 0.50	Lily	15.10.1996	1331600	REV. C
		.X° ± .X ± 0.38	RONNY	01.02.2012	SERIES NO.	
		.XX° ± .XX ± 0.25	HOGI	01.02.2012	MJS-10x-S1L0-xx/xCS	
		ANG. ± 0.3°				

RJ50 PCB JACK <10P10C>
SIDE ENTRY-LONG PROFILE TYPE
FULLY SHIELDED, GRD. TAB R 3.05mm

