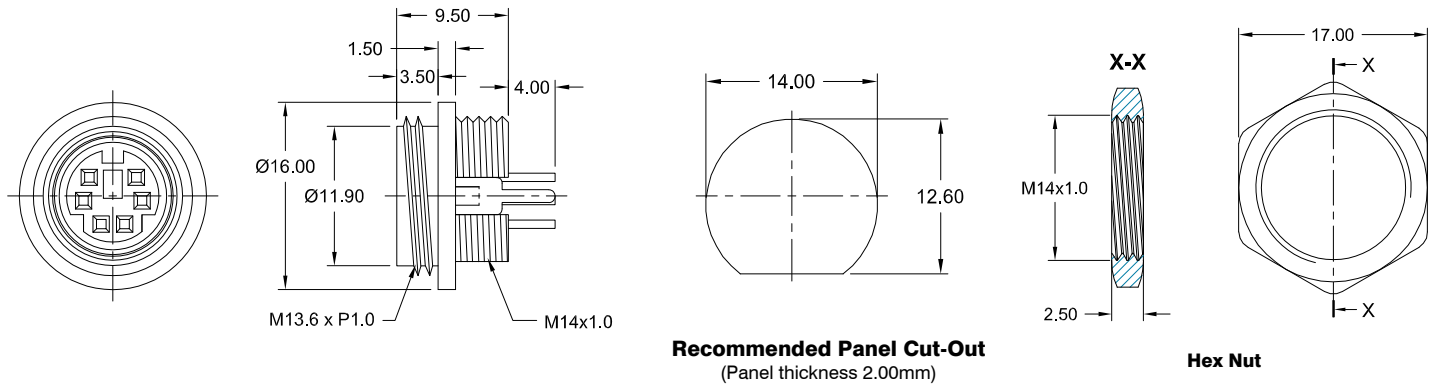
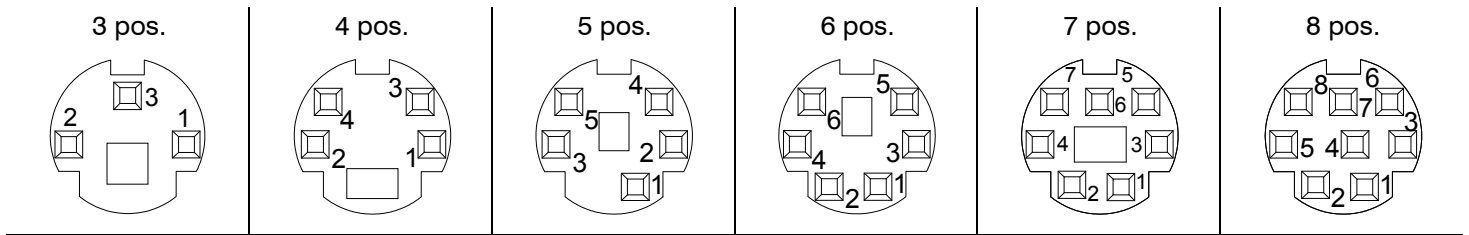


Mini DIN Connector

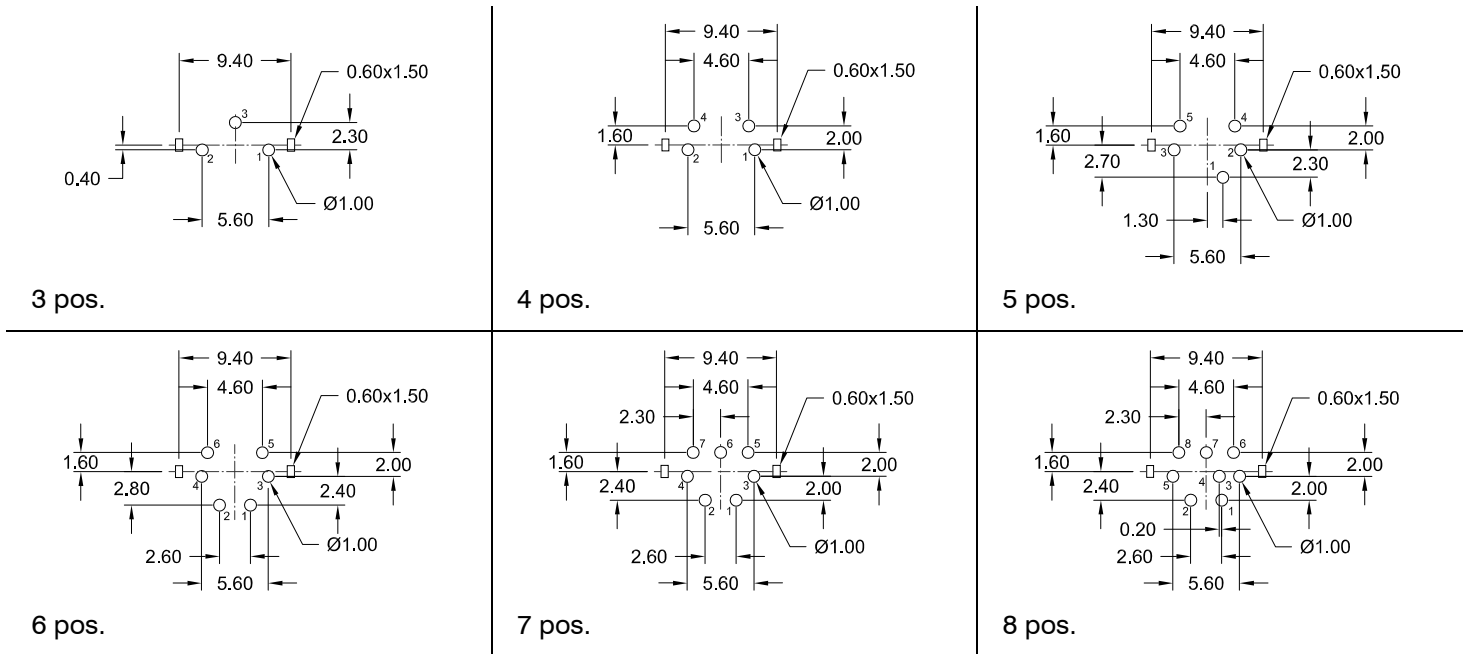
Wall mounting "THT" Type



Front View



PCB through hole Layout (Top View)



SPECIFICATIONS

Current rating	1 A max. at 100 V AC or 2 A max. at 12 V DC	Contact material	(RoHS compliant)	Brass; Tin plated
Insulation resistance	50 MΩ min. at 250 V DC	Hex Nut material	(RoHS compliant)	Brass; Nickel plated
Contact resistance	30 mΩ max.	Ground Terminal material	(RoHS compliant)	Brass; Nickel plated
Dielectric withstanding voltage	250 V AC for 1 min.	Insulator material	(RoHS compliant)	P.B.T. UL 94 V-0
Operating temperature	-40°C to +105°C	Insertion force		39N max.
		Withdrawal force		8.8N min.

Ordering Code

MDJ - xxx - SS01 - 99

