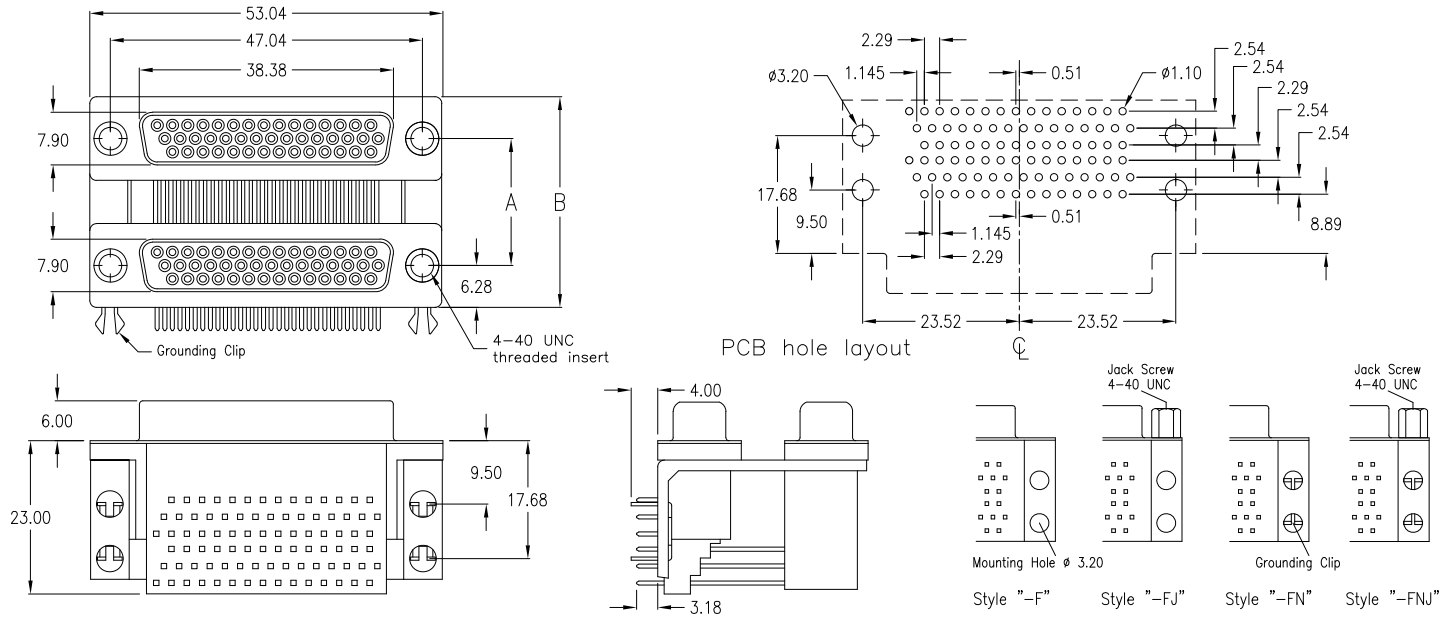
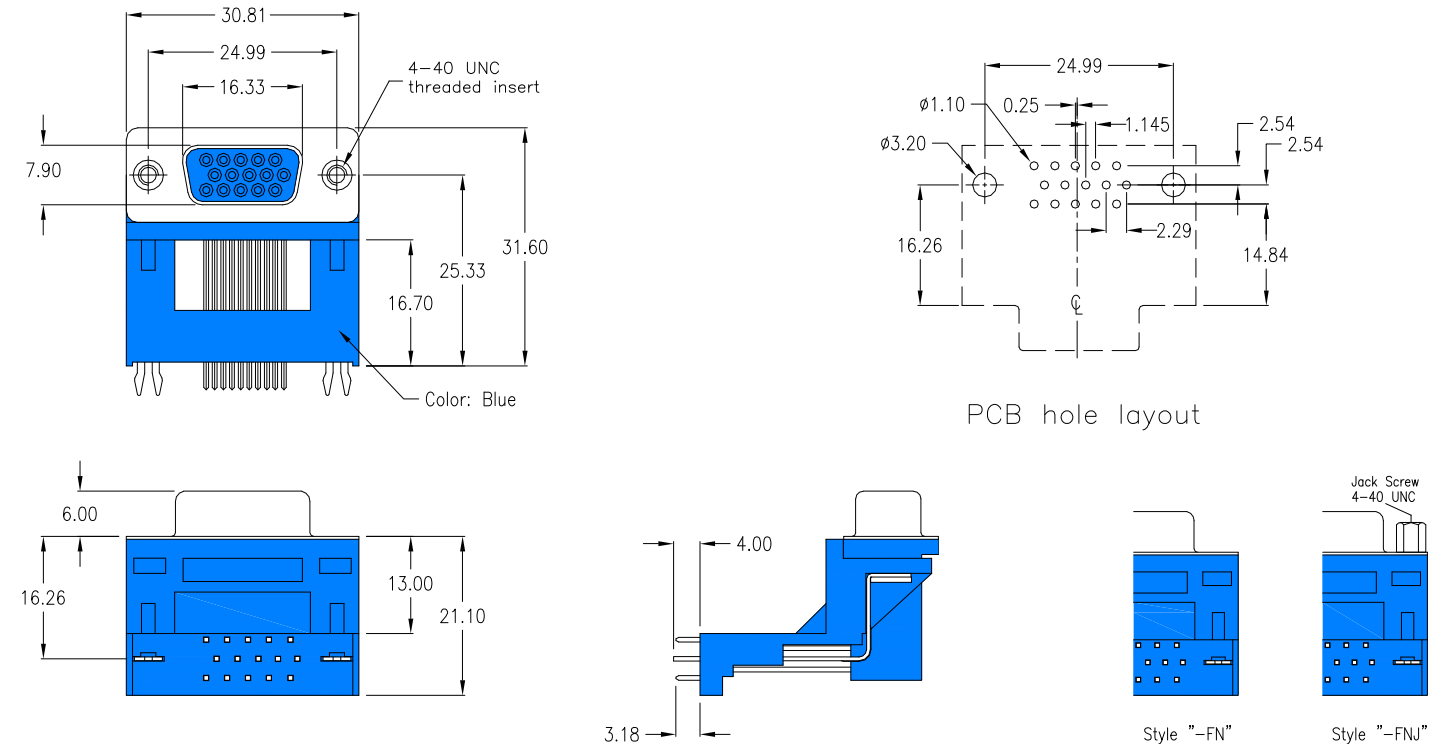


44-pin HD female / 44-pin HD female



without grounding clips just 4 mounting holes	without grounding clips, just 4 mounting holes; 4 jack screws 4-40 UNC mounted	with 4 grounding clips (as above drawing)	with 4 grounding clips; 4 jack screws 4-40 UNC mounted	Distance Dimensions (mm)	
SDD-H44H44-4-95-F	SDD-H44H44-4-95-FJ	SDD-H44H44-4-95-FN	SDD-H44H44-4-95FNJ	„A“ = 19.05	„B“ = 31.60
SDD-H44H44-5-95-F	SDD-H44H44-5-95-FJ	SDD-H44H44-5-95-FN	SDD-H44H44-5-95FNJ	„A“ = 15.88	„B“ = 28.42

15-pin HD female raised



	with 2 grounding clips; w/o jack screws <i>Standard</i> (as above drawing)	with 2 grounding clips; 2 jack screws 4-40 UNC mounted <i>Option</i>	
	SDD-H1500-2-95-FN	SDD-H1500-2-95-FNJ	