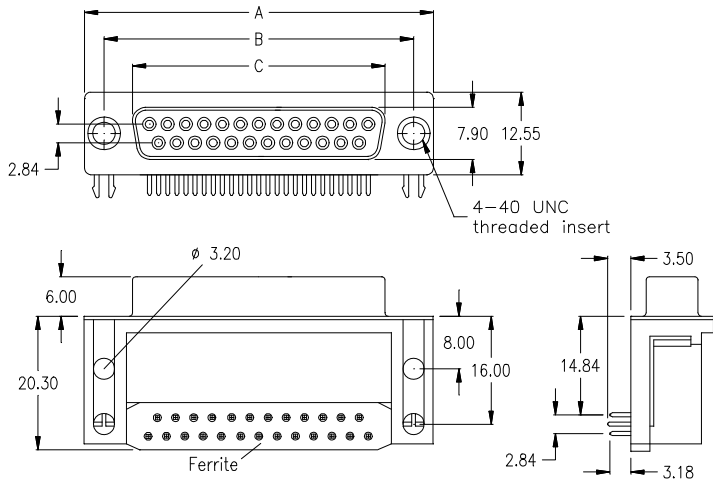


**female**



PCB hole layout on page 29

No. of contacts	Dimension		
	A	B	C
<b>009</b>	<u>30.81</u>	<u>24.99</u>	<u>16.33</u>
	1.213	.984	.643
<b>015</b>	<u>39.14</u>	<u>33.32</u>	<u>24.66</u>
	1.541	1.312	.971
<b>025</b>	<u>50.04</u>	<u>47.04</u>	<u>38.38</u>
	1.968	1.852	1.511
<b>037</b>	<u>69.32</u>	<u>63.50</u>	<u>54.80</u>
	2.729	2.500	2.159

Obsolete

**Ordering Code**

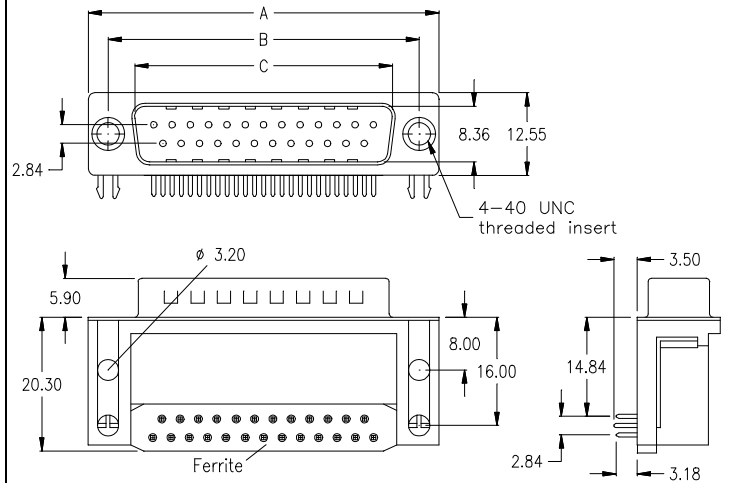
**SFF - xxx - L900 - 95 / XX**

No. of contacts

Option

Plating: -95 = tin(leadfree)/gold

**male**



PCB hole layout on page 29

No. of contacts	Dimension		
	A	B	C
<b>009</b>	<u>30.81</u>	<u>24.99</u>	<u>16.92</u>
	1.213	.984	.666
<b>015</b>	<u>39.14</u>	<u>33.32</u>	<u>25.25</u>
	1.541	1.312	.994
<b>025</b>	<u>50.04</u>	<u>47.04</u>	<u>38.96</u>
	1.968	1.852	1.534
<b>037</b>	<u>69.32</u>	<u>63.50</u>	<u>55.42</u>
	2.729	2.500	2.182

**Ordering Code**

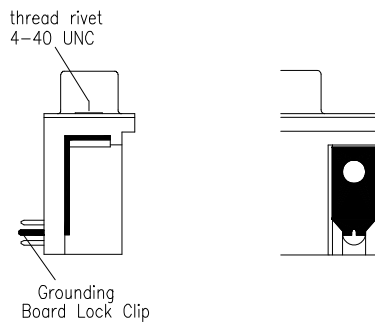
**SFM - xxx - L900 - 95 / XX**

No. of contacts

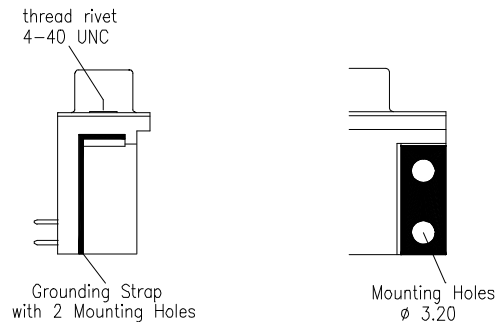
Option

General Specification page 72

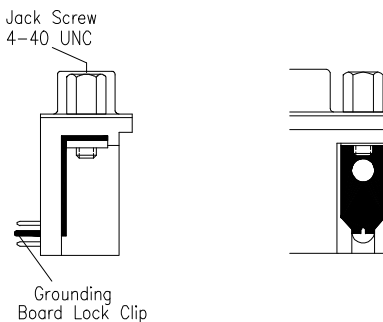
**Options**



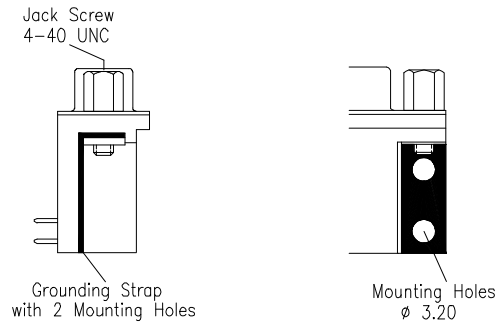
**P**



**L**



**PJ**



**LJ**