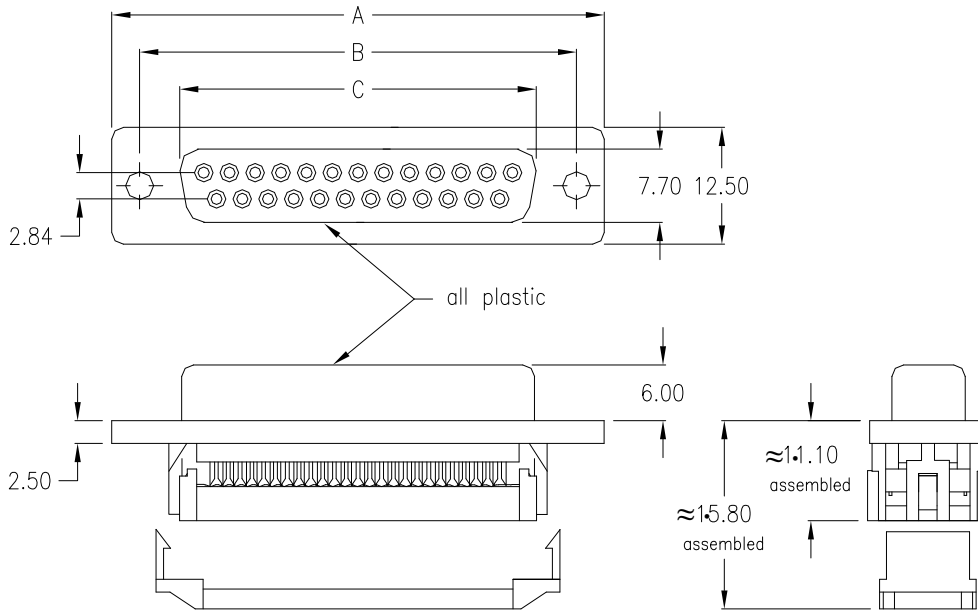
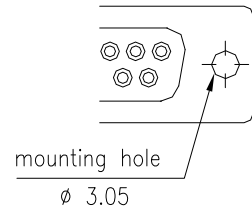




female



Option:



T0

No. of contacts	Dimension		
	A	B	C
009	31.16	24.99	16.00
	1.227	.984	.630
015	39.42	33.32	24.27
	1.552	1.312	.955
025	53.34	47.04	38.22
	2.100	1.852	1.505
037	69.68	63.50	54.65
	2.743	2.500	2.152

Plating: **-95** = tin(leadfree)/gold

General Specification page 72

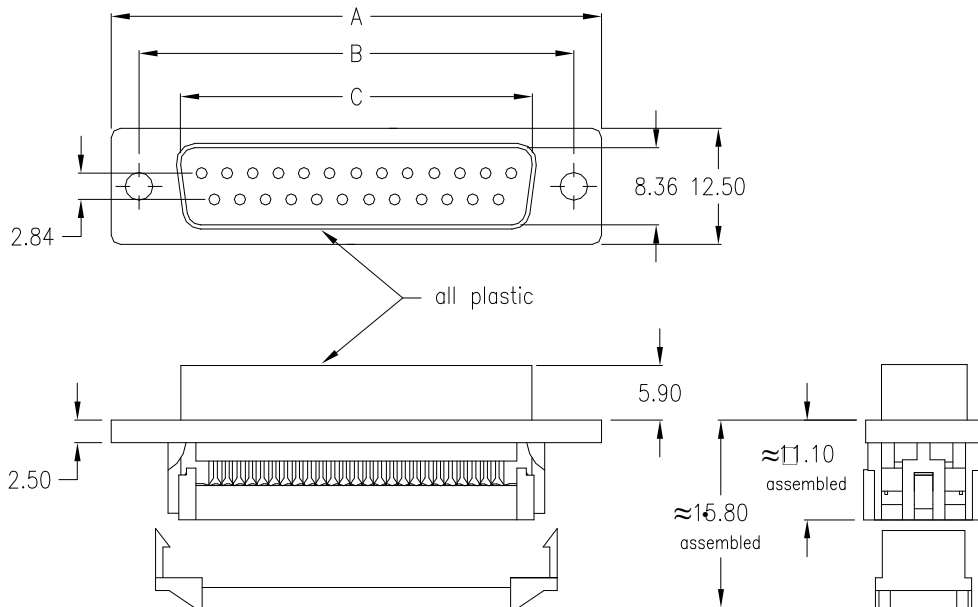
Ordering Code

SKF - xxx - S202 - 95 / XX

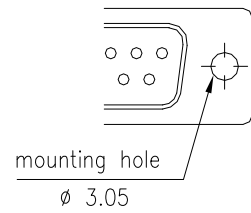
No. of contacts

Option

male



Option:



T0

No. of contacts	Dimension		
	A	B	C
009	30.81	24.99	16.92
	1.213	.984	.666
015	39.14	33.32	25.25
	1.541	1.312	.994
025	53.04	47.04	38.96
	2.088	1.852	1.534
037	69.32	63.50	55.42
	2.729	2.500	2.182

Plating: **-95** = tin(leadfree)/gold

General Specification page 72

Ordering Code

SKM - xxx - S202 - 95 / XX

No. of contacts

Option