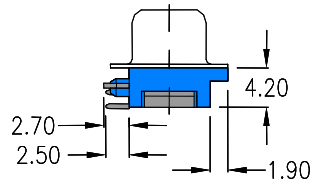
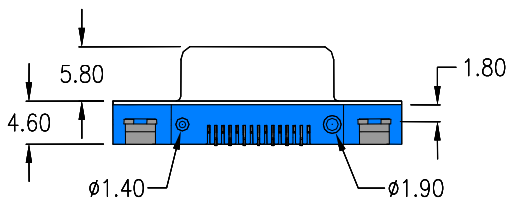
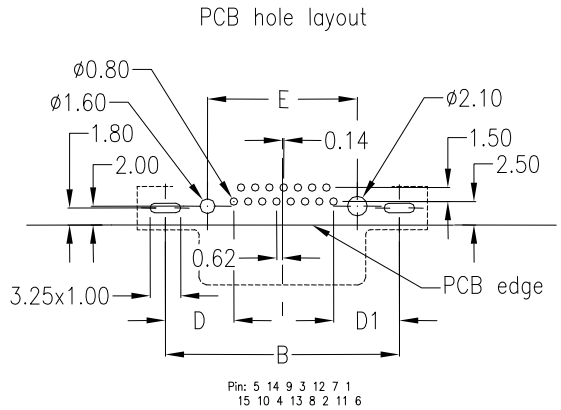
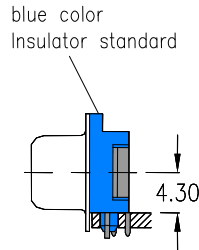
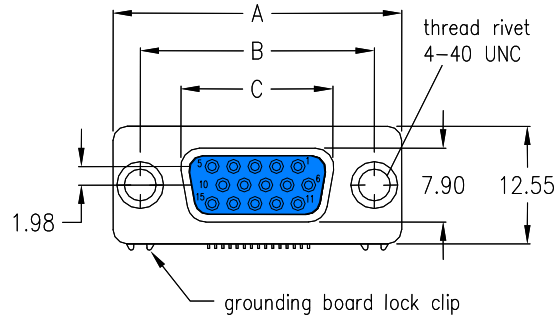


SH Series - High Density D-Sub 90° US98 Ultra Slim Profile

"Wave Solder" & "Pin-In-Paste" Technology



female



for technical & electrical specification please go to page 72

No. of contacts	Dimension					
	A	B	C	D	D1	E
015	30.81	24.99	16.33	7.32	7.04	16.00
	1.213	.984	.643	.288	.277	.630

Ordering Code

for "Wave Solder" Technology

SHF - 015 - US98 - 95 / VN

for "Pin-In-Paste" Technology

SHF - 015 - US98 - 95 / VSN

Option:

Jack Screw has to be ordered separately.

See page 70

Please ask for black color insulator availability

Plating: -95= tin(leadfree)/gold